



WASHRAG™

www.n3sh.org www.washrag.info

VOLUME 13 ISSUE 2

FEBRUARY 2011

N3SH
WA3SH
NP2SH/B



Wireless Association of South Hills

WASHFest 2011

It's 3 weeks to go until the 2011 **WASHFest** and as of this writing, we have 40 tables reserved for the hamfest. Carol and I both agree that reservations for tables are slower coming in than the last 2 years. We are not sure why but there is still lots of time.

As usual between Steve Lane W3SRL and Carol Danko KB3GMN, most all of the small details are handled including prize and raffle tickets, raffle cages, all door prizes including 2 black boxes and raffle prize cages. Carol has also been taking all telephone calls and receiving reservations and secured our usual breakfast and lunch food vendor.

As usual we will first have breakfast at our usual place for the last Saturday of the month, the Beach House Restaurant near Finleyville, and then head to the Castle Shannon Fire Hall to for setting up tables. Carol will have the keys to the hall and we can set up tables quickly. It should take no more 2 hours and all be home by lunch time. I will put out reminder bulletins on the reflector to remind everyone.

On Sunday morning, February 27th, I plan to be at the CSVFD Memorial Hall by 5 AM to open and begin letting vendors in to set up. It would be very helpful if club members show up no later than 6 AM to assist vendors set up their merchandise and have our own areas set up. If there are questions give me a call at 412-953-4957 or email the reflector. I will also monitor the 443.65 repeater Saturday and Sunday morning. For now that is the status of the **WASHFest**.

Last minute details will be shared on the reflector and if there is anything you can do for Carol and me you can be sure we will let you know.

Just check your email and the Sunday evening FM net during February.

See you all at **WASHFest**.

— 73, Kevin Smith N3HKQ
Chairman, WASHFest 2011

“Echoes of Apollo” EME Project

The EME project with the Amateur Astronomers Association of Pittsburgh (3AP) has taken a back seat because of the **WASHFest**. I did however exchange some emails with Kathy DeSantis of 3AP and we have tentatively set a date of Saturday, April 9th as a potential first attempt at our first EME contact. This date coincides with their first star party at the Mingo Observatory of the 2011 season. This is a few days earlier than the official Yuri's Night celebration on April 12th, but we both thought a mid week event would be poorly attended. There will be plenty of activity I am sure as EME stations who are preparing for Yuri's Night will use the weekend before to tune and troubleshoot their stations.

So after **WASHFest**, we will have around six weeks to assemble our station, which for us means building our 4 X 12-el Yagi array, purchasing a power divider assembly and LNA (preamplifier). Frank Bobro N3FB mentioned that he has a couple of spare 70-cm linear amplifiers that can be configured to give us a total of a few hundred watts. Assuming we can get 300-watts from our linear amplifiers, this combination should allow us to achieve about 23-dBi of gain. This is still a somewhat marginal station that will restrict us to using a digital mode JT65, the EME mode of the suite of WSJT weak signal modes by Joe Taylor K1JT. As long as we announce ourselves ahead of time we should be able to pull off some contacts. To learn more about WSJT weak signal modes visit the website, <http://physics.princeton.edu/>

Continued
on page 12

Inside this issue:

Party Pictures	2
WASH Club News	3
Meeting Minutes	4
WASH Club Agenda	5
A Diamond Under the Dirt	6
The WACOM 100	8
WASH Classified Ads	9
WASHFest 2011	10

Next Meeting: February 10th, 2011

The next monthly meeting of the **WIRELESS ASSOCIATION OF SOUTH HILLS, INC.** will be on Thursday, February 10th, 2011, at the **North Strabane Township Municipal Building**, 1929 Route 519, Canonsburg PA, starting at 7:00 PM.

Topics will final preparations for **WASHFest 2011**, the “Echoes of Apollo” EME Project, Field Day 2011, and more.

Talk-in on the 146.955(-) N3SH/R and 443.650(+) N3FB/R Repeaters (131.8 PL). All members, guests and interested parties invited!

"Seen" at the Christmas/Holiday Party

Photos Courtesy of and ©Copyright 2011 Ron Notarius W3WN



WASH 2011 OFFICERS

EXECUTIVE COMMITTEE:

President	Ron Notarius W3WN
VP / Secretary	Glen Roberts KE7FD
VP / Treasurer	Mark Stabryla N3RDV

AND WE COULDN'T DO IT WITHOUT:

N3SH / WA3SH Trustee	Steve Lane W3SRL
NP2SH Trustee	Paul Jordan NP2JF
N3SH / WA3SH / NP2SH QSL Manager	Ed Oelschlager N3ZNI
NP2SH 2009 QSL Manager	Carl Schroeder K9CS
VE Team Liaison	Jacqué Gosselin N3ZEL
Webmaster	Randy George N3ZK
Asst. Webmaster	Glen Roberts KE7FD
Quartermaster	Harold Rosenberger K3HCR
WASH FM Net Manager	Kevin Smith N3HKQ
WASHFest 2011 Committee	Kevin Smith N3HKQ, Chairman
	Carol Danko KB3GMN, Co-Chair
Activities & Operating Events	Bob Timmins AB3ED
Ways & Means	Carol Danko KB3GMN
Field Day 2011 Coordinators	Kevin Smith N3HKQ
	Larry Comden K3VX

CLUB-AFFILIATED REPEATERS, BEACONS, & DIGIPEATERS:

Mt. Lebanon	N3SH / R	146.955 MHz (-)	PL 131.8
Mt. Lebanon	W3SRL / R	442.550 MHz (+)	PL 131.8
Canonsburg	N3FB / R	443.650 MHz (+)	PL 131.8
St. Johns, VI	NP2SH / B	28.276 MHz	Propagation Beacon
Canonsburg	N3SH	144.390 MHz	APRS Digipeater

N3SH / WA3SH WASHNet, the weekly on-air net of WASH, meets every Sunday Night, 9:00 PM ET, on the 146.955 & 443.650 repeaters. All radio amateurs, WASH members or not, are welcome to join in!

THE LEGAL STUFF

"The WASHRag™" (formerly "The Mariner™") is the Official Newsletter of the **WIRELESS ASSOCIATION OF SOUTH HILLS, INC. (WASH)**

Published Monthly with occasional Special Editions as warranted.

This issue is © Copyright 2011 by the **WIRELESS ASSOCIATION OF SOUTH HILLS, INC.**

Editor & Publisher: Ron Notarius W3WN

Permission is granted to other Amateur Radio publications to reprint articles in this issue, provided the original author and "The WASHRag™" are given credit. Comments, articles, and requests for copies of or information about "The WASHRag™" should be mailed to the editor:

Ron Notarius W3WN
3395 Rosewood Drive
Castle Shannon, PA 15234-2546

e-mail: [newsletter at n3sh dot org](mailto:newsletter@n3sh.org) or [w3wn at arrrl dot net](mailto:w3wn@arrrl.net)

"The WASHRag", "The Mariner", SHARCfest, South Hills Hamfest, WASHfest, WASHfest 2009, N3SH Net, WA3SH Net and WASHNet are ™ trademarks of the **WIRELESS ASSOCIATION OF SOUTH HILLS, INC.**

The **WIRELESS ASSOCIATION OF SOUTH HILLS, INC.** was founded on August 23rd, 1993, as the original **SOUTH HILLS AMATEUR RADIO CLUB**, and operated under that name through 1998. WASH was also known briefly in late 1998 as the **N3SH AMATEUR RADIO CLUB**. It is not in any way affiliated with the "South Hills Amateur Radio Club, Inc." and is not responsible for that group, it's members, or it's actions in any way, shape, or form.

As always, special thanks to the owners of both the N3SH-W3SRL Repeater System and the N3FB/R Repeater System for permitting the **WIRELESS ASSOCIATION OF SOUTH HILLS, INC.** and it's members to use their repeaters for club purposes. Special thanks also to Glen Roberts KE7FD of The Internet Guild for his assistance in providing space on-line for our website for back issues of "The WASHRag™" which can be found at www.washrag.info

WASH Amateur Radio Club News Briefs

Next WASH VE Test April 27th

The Next WASH VE exam sessions will be **Wednesday, April 27th, 2011, 6:30 PM**, at the **North Strabane Township Building, 1929 Route 519, Canonsburg, PA**. Talk-in on the 146.955 MHz and 443.650 MHz repeaters. All examiners are ARRL VEC affiliated.

Walk-ins are always welcome, but if you plan on attending the test session, please contact VE Team Liason Jacqué Gosselin N3ZEL:

Telephone (724) 746-9235 or E-Mail: n3zel@comcast.net

Please bring the following to your test session:

- Picture ID or other suitable identification (2 forms of ID required)
- Pen / Pencil / Calculator
- Original FCC license plus a copy of license (if upgrading)
- Original CSCE plus a copy of CSCE (if upgrading)
- Check or Cash in the amount of **\$15.00** (payable to: ARRL VEC)

Wednesday, July 27th, 2011
 Future test dates: Wednesday, October 26th, 2011
 (tentative) Wednesday, January 25th, 2012
 Wednesday, April 25th, 2012

Saturday, January 29th was a bright, cool Saturday morning, and Ye Editor was cooling his heels at a downtown hotel waiting on his daughter's audition for a regional talent showcase... while he would much rather have been with **the WASH Breakfast Gang** at **The Beach House** in Finleyville.

We know that this month's contingent included KB3GMN, AD3Q, W9UK, N3DFK, AE3DL, KB3GMU, N3FB & WB4GCS (thanks Carol!) Unfortunately, everyone was having a great time — and didn't take any notes to pass on!

So, without further ado, let's just remind you that we'd like you to join us for our next breakfast gathering on Saturday, February 27th at **The Beach House**, Library Road, Finleyville, just south of Trax Farm, which will be immediately followed by **WASHFest** setup at the CSVFD Memorial Hall. See you there!

...and yes, Jessie's audition was fantastic and she qualified for the showcase on March 6th!

Our thanks once again to Lana & Bob Timmons AB3ED for hosting the end-of-season **WASH** Christmas/Holiday Party. Everyone who came had a great time, the dining and company were fantastic, and the Chinese Auction winners all enjoyed their winnings. Looking forward already to next year!

Pictures from the party are located on Page 2, with some additional overflow pictures scattered throughout the newsletter.

Congratulations again to Carol Danko KB3GMN, who was selected as the recipient of the **2010 WASH Kilowatt Award** in recognition of her outstanding contributions to the club this last year and for many, many years before.

Ed N3ZNI reports that several entries for the **WASH 2 Meter Simplex Contest** forgot to include SASE's. Anyone turning in a log by deadline qualified for a free prize ticket to **WASHFest 2011**. Anyone who didn't send in an SASE can pick up their ticket at the club table at **WASHFest**.

For those of you who are DX oriented, have you heard about WACOM's little challenge — the **WACOM 100**? Information on the new award and competition is on Page 8.

And this isn't a bad time to remind you that **2011 Club Dues** are, err, due. If you haven't dropped them in the mail to Mark N3RDV, now would be a good time to do so. Better yet, you can conveniently take care of the matter quickly and painlessly via the club web site. And yes, Ye Editor is as guilty as anyone... got to take care of that...

Have you checked the expiration date on your ticket lately?

We'd hoped to have some good news on the **NP2SH Beacon Project** by now. Mike N3BSQ had some medical issues to handle last month. Fortunately he's recovered, and the project is only a little delayed. The beacon should be back on the air fairly soon. NP2JF has received the new beacon antenna, so it shouldn't be long now.

Due to a scheduling conflict, K3ON (ex KC3ET) tells us that the 2 Rivers ARC Hamfest has **shifted dates** up a week, to April 3rd.

WASHFest 2011 is almost here. Time to dust off your call sign hat, break out & prepare the treasures for the sales table, and set aside that left over holiday cash for your next set of goodies. As the first hamfest of the year, we can expect a big turnout. It's our opportunity to really shine before our fellow hams — and we do, from what we hear. Setting up tables, helping vendors get in and out, selling tickets, watching the club table, working talk-in — there's plenty to do, and when we all chip in, it all goes smoothly. So if you know what you'd like to do to help, give Kevin N3HKQ or Carol KB3GMN a buzz and let them know. Here's looking forward to another great year!

Results, VE Session, January 26th

Bret P. Donovan K3BPD upgraded from Technician to General.

Three new Technicians were licensed at this session:

- ◆ John F. Donovan KB3VOM
- ◆ James J. Squires KB3VON
- ◆ Michael P. Studvick KB3VOO

Welcome, gentlemen!

My thanks to fellow VEs, Don AE3DL, and Ed N3ZNI, for being there.

— Jacqué N3ZEL

WASHNet 2011 NCS Schedule

2/6/2011 - Bill W3WH 2/13/2011 - Harold K3HCR 2/20/2011 - Carol KB3GMN or Richie N3SBF 2/27/2011 - Bob AB3ED 3/6/2011 - Kevin N3HKQ 3/13/2011 - Dave N3IDH 3/20/2011 - Frank N3FB 3/27/2011 - Dave N3DFK 4/3/2011 - Bill W3WH 4/10/2011 - Harold K3HCR 4/17/2011 - Carol KB3GMN or Richie N3SBF 4/24/2011 - Bob AB3ED 5/1/2011 - Kevin N3HKQ 5/8/2011 - Dave N3IDH 5/15/2011 - Frank N3FB 5/22/2011 - Dave N3DFK 5/29/2011 - Bill W3WH 6/5/2011 - Harold K3HCR 6/12/2011 - Carol KB3GMN or Richie N3SBF 6/19/2011 - Bob AB3ED 6/26/2011 - Frank N3FB 7/3/2011 - Dave N3IDH 7/10/2011 - Kevin N3HKQ 7/17/2011 - Dave N3DFK	7/24/2011 - Bill W3WH 7/31/2011 - Harold K3HCR 8/7/2011 - Carol KB3GMN or Richie N3SBF 8/14/2011 - Bob AB3ED 8/21/2011 - Frank N3FB 8/28/2011 - Dave N3IDH 9/4/2011 - Kevin N3HKQ 9/11/2011 - Dave N3DFK 9/18/2011 - Bill W3WH 9/25/2011 - Harold K3HCR 10/2/2011 - Carol KB3GMN or Richie N3SBF 10/9/2011 - Bob AB3ED 10/16/2011 - Kevin N3HKQ 10/23/2011 - Dave N3IDH 10/30/2011 - Frank N3FB 11/6/2011 - Dave N3DFK 11/13/2011 - Bill W3WH 11/20/2011 - Harold K3HCR 11/27/2011 - Carol KB3GMN or Richie N3SBF 12/4/2011 - Bob AB3ED 12/11/2011 - Kevin N3HKQ 12/18/2011 - Dave N3IDH 12/25/2011 - Frank N3FB 1/1/2012 - Dave N3DFK
---	--

ARRL 2011 Field Day packet is now available for download. It contains complete rules, forms, reference materials, sample publicity documents and more.

One rule change this year is that Class 1A stations will be allowed one "free" VHF station without changing their operating class, to encourage more 6 & 2 meter use during Field Day.

Join WASH or Renew your Membership for 2011 Today! Membership Application on Page 11!!

Minutes, December 9th Meeting

Bob Timmons AB3ED, Vice President/Secretary, **WASH**

Ron W3WN called the meeting to order at 19:10 hours. There were 15 members and guests in attendance.

A moment of silence was observed for recent silent keys and other deserving persons.

A motion was made by Frank N3FB to waive reading of the September minutes as published in the newsletter. Seconded by Bill W3WH and carried unanimously.

Committee reports:

Treasurer (N3RDV): A balance on the bank account was read on Mark's behalf.

Secretary (AB3ED):. No report.

VE Report (N3ZEL): A possible conflict has come up with the Washington County Courthouse in Washington PA regarding Monday dates. Other alternatives are being sought.

(Editor's Note: Exams have been moved to the 4th Wednesday every quarter at the North Strabane Township Municipal Building)

Repeaters (N3FB): All up and running. Possible site visit to the 70 cm repeater will be upcoming.

Net Report (N3HKQ): Net schedule for 2011 will be out shortly.

Contests K3VX: WASH 2 Meter simplex contest coming up on January 8th.

Public Service (N3IDH): No report

Ways and Means (KB3GMN): Club's annual end-of-season Christmas / Holiday party will be Friday, January 14th, starting at 7:00 PM at AB3ED's humble abode. There will be a 50/50 tonight.

WASHFest 2011: Starting to hear from some vendors. Prizes will be purchased from R & L on December 11th to take advantage of Customer Appreciation Day discounts. First prize will be an 800 W amplifier, second possibly an IC-92AD, third possibly a Heil headset.

President's Report (W3WN): A short discussion of the progress of the NP2SH Beacon project.

Old Business: Short discussion on last month's tabled motion regarding Echoes of Apollo. Motion remains tabled.

New Business: None.

Good of the Order:

- Bob AB3ED is involved with two Boy Scout troops and a total of 20 Scouts who are working on the BSA Radio Merit Badge.
- K3VX talked about his recent visit to the Arecibo Observatory in Puerto Rico, and the facility tour from Angel WP3R.

Motion to Adjourn by Carol KB3GMN, Second by Eric K3SGT and carried.

Meeting adjourned at 19:45 hours.

Meeting was followed by a presentation by Kevin N3HKQ with more details on the Echoes of Apollo and his suggested club project.



WASH Spotlight: KB3GMN

Congratulations to Carol Danko KB3GMN, this year's recipient of the **WASH KILOWATT AWARD**, in recognition of her long standing and hard work "behind the scenes" to help keep club events running so smoothly, it almost looks effortless.

Without Carol, **WASHFest**, club picnics, Field Day, and other events would be merely... ordinary, not spectacular.

We couldn't do it without you Carol, and we want you to know how much we appreciate it — and you!

Photo by Bob Timmons AB3ED, ©Copyright 2011 Ron Notarius W3WN



Every month we're going to feature a **WASH** club member, something about them, something they're involved in or a club-related activity that we're involved in, in the **WASH Spotlight**. Submissions for the Spotlight should be sent to Ron W3WN at [newsletter at n3sh dot org](mailto:newsletter@n3sh.org)

Monthly WASH Breakfast

Please join us for the next **WASH** Breakfast! We usually get together on the LAST Saturday of every month for a chance to informally sit down, shoot the breeze, compare notes, drink lots of coffee, and just have a good time!



Join us this month at **The Beach House**, on Route 88 in Finleyville, just south of Trax Farms and adjacent to Mineral Beach. Start time is about 8 AM until ????? Monitor 146.955 & 443.650 for talk-in or any last minute changes.

All are welcome, **WASH** members or not, amateurs or not!

Wireless Association of South Hills Membership

2011	N3FPF	KA3RXY	WASH FL	WASH VI	Silent Keys
AB3ED	N3HKQ	KB3ERQ	KA3UPY/MM	NP2JF	
AB3EN	N3RHT	KC4WTT	W4ZE		
AB3KA	N3SBF	N2QIV	WASH GA		
AE3DL	N3TIR	N3AWF	K3OL		K3EED (George)
K3AIR	N3YJJ	N3CZZ	KB3IJX		
K3RYA	W3RWS	N3IDH	WASH NE		KA3NMG
K3SGT	W3VFA	N3PN	NØPEU		KB3ENX
K3VX	W3WH	N3QMV	WASH OH		KB3FNM
KA3TWI	WA3NB	N3RDV	N8DPW		KB3FQT
KB3DCO	WA4ONC	N3ZEL	WASH SC		N3FZ
KB3GMN	WO3Z	N3ZK	N3RNX		N3KEH
KB3GMP	2010	N3ZNI	WASH TN		N3OBD
KB3GMU	AC4KU	NU3S	KE3XB		N3SKR
KB3IAC	K3HCR	W3LE	N3YPB		N3SRC
KB3IVX	K3LGM	W3WN	WASH TX		N3XFE
KB3ORR	K3WJL	W4ZE	K3LGM		W3ZLK
KB3TOA	KA3ANU	WB4GCS	Jane Wagner		WA3JPP
KE7FD					
N3AWF					
N3BPP					
N3DFK					
N3FB					

Through February 1ST, 2011

List compiled by

Mark Stabryla N3RDV, Vice President/Treasurer

2011 WASH Upcoming Events Calendar

Meeting Topics & Other Significant Club Events — Subject to Change

February 10 th	WASH Meeting	@ North Strabane Municipal Building
February 12 th - 13 th	CQ WPX Contest RTTY	http://www.cq-amateur-radio.com
February 14 th - 18 th	ARRL School Club Roundup	http://www.arrl.org
February 19 th	Breezeshooter's Groundwave CW	http://www.breezeshooters.net
February 19 th & 20 th	ARRL DX Contest CW	http://www.arrl.org
February 25 th - 27 th	CQ WW 160 Meter SSB	http://www.cq-amateur-radio.com
February 27 th	WASHFest 2011	http://www.n3sh.org
March 5 th & 6 th	ARRL DX Contest SSB	http://www.arrl.org
March 10 th	WASH Meeting — Pizza Night!	@ North Strabane Municipal Building
March 19 th	Breezeshooter's Groundwave Voice Modes	http://www.breezeshooters.net
March 26 th — 27 th	CQ WPX Contest SSB	http://www.cq-amateur-radio.com
April 3 rd	2 Rivers ARC Hamfest	http://www.trarc.net
April 17 th	WPa Repeater Council Meeting	http://www.wprc.us
April 17 th	ARRL Rookie Roundup (SSB)	http://www.arrl.org
May 15 th	City of Pittsburgh Marathon	http://marathon.central.org
May 20 th — 22 nd	Dayton Hamvention	http://www.hamvention.org/
May 28 th — 29 th	CQ WPX Contest CW	http://www.cq-amateur-radio.com
June 5 th	Breezeshooter's Hamfest	http://www.breezeshooters.net
June 11 th & 12 th	ARRL June VHF Contest	http://www.arrl.org
June 25 th & 26 th	ARRL Field Day	http://www.arrl.org
July 9 th & 10 th	IARU HF World Championship	http://www.iaru.org
July 10 th	North Hills ARC Hamfest New Location	http://www.nharc.org
August 28 th	Skyview RS Hamfest	http://www.skyviewradio.net
November 6 th	WACOM Hamfest	http://www.wacomarc.org

Under the Dirt.. A Diamond

Paul Schaffenberger K5AF courtesy of the Ten-Tec Reflector

From the time I was first licensed in 1960, I bought used gear.

Finally, in 1980, I bought my first piece of new gear...a Ten-Tec Omni A, Series B. This radio would be my primary rig for the next 15+ years and would travel with me to three continents and provide me with well over 100K QSOs without a single failure. I parted with it in 1995, but always had a warm spot in my heart for that simple, reliable radio.

Its amazing how the mind can observe and record things without you consciously directing it to. At a swap meet last weekend, my eyes fell upon something on the other side of the room that I needed to see. As I got closer, I saw a stack of beat-up-looking Ten-Tec gear. It was covered with a layer of dirt and grime. It took a little imagination to realize that it was an Omni A, Series B, matching remote VFO, 252 power supply and remote digital display.

It looked as though someone had stacked stuff on top of the Omni and put a large gash on the top of the case. The trim ring on the transceiver looked corroded and unrecoverable. I started to walk away, but noticed that all the lettering on the panel looked good, as best I could tell. I spit on my finger tips and rubbed some of the grime off the tuning knob. The expected scratches were not there suggesting that this radio may not have seen a lot of use. I did the same on the other knobs, and found the metal inlays to be in very good shape.

I noted that the dial cords were broken and the VFOs were both seized, but everything seemed unmolested, with the exception of the power cord, that was crudely cut about a foot from the connector. I made a ridiculous offer and was countered immediately with a "Sold!"

I brought it home, set everything next to the kitchen and started cleaning. The more I cleaned, the more excited I got. This gear was in excellent shape. Front panels were perfect, the cases were much better than expected, the gash could be repaired, and the trim ring cleaned up perfectly with just a light application of Soft Scrub. Then I took off the top cover.....bonus!!!!...a 217 CW filter! (it is worth more than half of what I paid for everything!)

Now I'm in the quandary of whether I should try un-seizing the VFOs and repairing the dial cords. I'm sure there may be other issues, maybe it would be better to send the radio back to Ten-Tec. I know there is information online on doing these repairs and I still need a power cord to do any testing.

This is one of those good luck stories. This Omni A even has serial number in the 600s, just like my original Omni did.

I will keep you posted on my efforts to get it back on the air!



Mixed Decision on Palmdale Appellate Case

Marty Woll N6VI, Vice Director, ARRL Southwestern Division

The California Court of Appeals handed down its ruling during the last week in January, in the case of Alec Zubarau (WB6X) vs. City of Palmdale.

The court made three decisions that affect Amateurs in California.

First the court found that part of the Palmdale ordinance was unconstitutional because it was vague and could not be understood by a reasonable person. That part of the ordinance allowed an Amateur to have a vertical antenna up to 75 feet high when measured from the ground but limited the "active element of the antenna array" to 30 feet in height. The court found that the ordinance did not define "array" or "active element" and did not say where the height of such array was measured from. After a number of questions were submitted regarding this ordinance, the court determined that no one could really understand what it meant and declared it unconstitutional. This part of the decision, said ARRL Volunteer Counsel Len Shaffer WA6QHD, will affect only hams living in Palmdale.

The next issue decided by the court had to do with radio frequency interference. They said that only the Federal government could regulate RFI and any state or municipal law that tried to address it was preempted. That means it is not enforceable. That part of the decision affects hams throughout the state, according to Shaffer. He asks any California amateur whose municipality or county has an ordinance that limits Amateur Radio antennas or operations based on whether there is interference to consumer or other devices to contact Southwestern Division Vice-Director Marty Woll N6VI at n6vi@arrl.org.

The final part of the decision had to do with whether Palmdale followed the law when they made Alec Zubarau take down his permitted tower but allowed him to keep a VHF/UHF vertical on his roof. The court said they thought this was a reasonable accommodation because it allowed him to be active in some part of amateur radio. "This decision is troubling," said Shaffer, "and we are considering what options we may have regarding any further review of the issue. We will be conferring with various legal sources before any final determination is made."

Allowing only a VHF/UHF antenna for 'some part of Amateur Radio' is like allowing a baseball player to only have a ping-pong paddle because they're both 'some part of sports.' — *Steve Stirling N8CPA*

On January 28 at 0132 UTC, a Soyuz rocket lifted off from Kazakhstan carrying the Russian Progress M-09M cargo vehicle to orbit headed for the International Space Station (ISS). While the primary cargo of the Progress vehicle is fuel, oxygen, food and other supplies, the Progress also contains AMSAT's ARISSat-1 Amateur Radio satellite.

Progress docked with the space station just two days after launch, on January 30 at 0239 UTC.

Currently ARISSat-1 is planned to be manually deployed from the ISS by Russian cosmonauts Dmitry Kondratyev and Oleg Skripochka during a spacewalk on February 16. ARISSat-1/RadioSkaf V will have simultaneous 2m FM, CW, BPSK and transponder transmissions. These multiple transmissions are created by a new software defined transponder (SDX) board. Features provided by the SDX include:

- The FM transmissions will cycle between a voice ID, select telemetry values, 24 international greeting messages in 15 languages and live SSTV images.
- The CW transmissions will be call sign ID, select telemetry, and call signs of people actively involved with the ARISS program.
- The BPSK transmissions will feature a new 1kBPSK protocol developed by Phil Karn, KA9Q to be readable in low signal level conditions. It will alternate between telemetry and Kursk experiment data. Free ground station soundcard demodulator and display software will be available before deployment for multiple platforms.
- There also is a 16kHz wide amateur radio U/V transponder between the BPSK and FM signals.
- The Kursk experiment will be sampling the amount of vacuum each day for 90 minutes and sending down data to map the vacuum change as the satellite slowly spirals into the atmosphere.

— AMSAT News Service and G. Gould Smith WA4SXM

Atlantic Division February Webinars

ARRL News courtesy of the [American Radio Relay League](http://www.americanradioleague.com)

Periodically, the ARRL's Atlantic Division hosts a "webinar" — an interactive Web-based seminar, designed to facilitate communication between a small number of presenters and a large remote audience using the Internet. During February, Atlantic Division Director Bill Edgar N3LLR, will host two webinars for ARRL members, one on 503(c)(3) organizations and one on using Narrow Band Emergency Messaging Software (NBEMS) — a set of programs used to send messages and files via Amateur Radio using an audio interface.

On Thursday, February 24th at 9 PM (EST), Edgar — along with ARRL General Counsel Chris Imlay, W3KD; Southwestern Division Vice Director and CPA Marty Woll N6VI, and Western Pennsylvania Section Emergency Coordinator Larry Keller AB3ER — will present a 90 minute webinar on 503(c)(3) organizations. This webinar will give basic information about why clubs may want to file for a tax exempt non-profit status, how to file for it and how to keep the club's tax exempt status in good standing. Register for this webinar at <https://www1.gotomeeting.com/register/380546793>.

On Saturday, February 28th at 10 AM (EST), [NBEMS](http://www.nbems.com) developers Dave Kleber KB3FXI, and Western Pennsylvania Assistant Section Emergency Coordinator Harry Bloomberg W3YJ, will present a two hour webinar that covers NBEMS's advanced features. Learn about the use of NBEMS [FLWRAP](http://www.flwrap.com) and [FLMSG](http://www.flmsg.com) to send and receive spread sheet/database data and form-based messages such as the ICS-213 and NTS/Radiogram forms. Bloomberg and Kleber will also be covering HF digital net procedures and protocols and hope to incorporate a live HF demonstration that will be viewable by all those attending the webinar. Register for this webinar at <https://www1.gotomeeting.com/register/497568192>.

All webinar registration must be completed no later than one hour before the start of each session. According to Edgar, these webinars are open to any interested ARRL member; you do not need to reside in the Atlantic Division to join in. All you need is a computer (with speakers) that is connected to the Internet. You can watch the presentation on your computer monitor and listen to it through your computer speakers.

BSA & ARRL Sign MOU

ARRL News courtesy of www.arrrl.org

After working together for nearly a century to provide Scouts with the ability to learn radio communication skills, Boy Scouts of America and the ARRL have officially teamed up by signing a memorandum of understanding. This MOU designates the ARRL as a key resource for K2BSA and Radio Merit Badge training at the BSA National Scout Jamboree and establishes the ARRL as the go-to source for Scouts interested in learning about and becoming involved in radio communication.

BSA Chief Scout Executive Bob Mazzuca and ARRL President Kay Craigie N3KN, launched the partnership January 31st by holding a unique wireless communications meeting. Mazzuca joined Craigie virtually during an Internet video conference and document-signing ceremony. From separate locations, the pair took the opportunity to talk about the importance of each organization to the ongoing development of the other.



"Throughout the years, going all the way back to the Wireless Merit Badge in 1918, the ARRL has worked hand-in-hand with Boy Scouts of America to help teach Scouts the skills and joys of radio communication," said Chief Scout Executive Bob Mazzuca. "Today, we are making official a relationship that has been beneficial for both of our organizations for nearly a century."

BSA, by virtue of its active membership and its outdoor program, represents a significant source of potential new radio operators looking to utilize Amateur Radio for emergency communications while in the field as well as for education, experimentation, and friendship. As part of this strategic alliance, BSA will encourage Scouts and Scouters to become familiar with opportunities for public and community service, learning and personal growth through involvement in Amateur Radio.

"We're excited by the opportunity to make official a relationship that has existed informally for many years," said Craigie. "Scouts and Scouters have been some of the strongest proponents and practitioners of radio communication, and we know they will continue to help foster a love and understanding for the essential nature of radio communication for generations to come." Craigie also noted the numbers of people whose early interests in Amateur Radio led them to electronics and engineering careers in areas that were never foreseen when they were young.

The BSA established the strategic alliance with ARRL because the mission of the ARRL is complementary to the mission and goals of the BSA. Specifically, the ARRL is organized for the establishment of networks to provide communications in the event of disasters or other emergencies, the advancement of the radio art and of the public welfare, the fostering of education, the promotion and conduct of research and development, and the dissemination of technical, educational and scientific information relating to electronic communication, the representation of radio amateurs in regulatory matters, and the promotion of fraternalism and high standards of conduct among radio amateurs.

In addition to its National Scout Jamboree involvement, ARRL will continue to promote participation in the annual Jamboree on the Air (JOTA) event. ARRL will serve as contributing editor to the Radio Merit Badge publication, will assist with the review, creation and modification of requirements as necessary, and will assist in developing course material, lesson plans, and other resources for teaching the Radio Merit Badge to Scouts. ARRL also will contribute to the content of the Electricity, Electronics, and Emergency Preparedness and Communications merit badge publications.



Please inform our dear friends, colleagues radio amateurs, sponsors, supporters, individual contributors that 27 February at 15:30, the team 5C2 was traveling in Morocco to reach Dakhla and Herne Islands. On the way broke a wheel of the jeep and were turned upside down, the impact has been only hurt our good friend Leo I8LWL (5C2L), the rest of the team is good.

The impact Leo suffered a fractured shoulder and a slight head injury and is now recovering in the hospital of Marrakech, which has received the first treatment mediche. Once improve his condition, he will return to Italy.

Congratulations to Leo lends a healing and a return home soon.

The new DXpedition to AF-068 will be in September 2011.

— 73 de 5C2 team (via IK7JWX & AD1C)



WACOM 100

A new award & fun competition from Washington Area Communicators!

Goals:

- To excite Washington (County) Area Hams to Excite the HF by working 100 Countries in 2011!
- To introduce newer hams into the HF spectrum utilizing HF privileges to contact stations worldwide.

Our event will be based on the ARRL's DXCC program, basically consisting of contacting 100 different DX entities (countries).

Since there are about 338 currently active "countries", in the beginning it is very easy to accumulate "new ones". The first 100 are actually quite easy, as you will discover. Depending on your SKILL, operating hours available, your antenna and good ole' propagation the difficulty gathering the rest will vary. Some have attained all 338 within a few years; some set a pace, some race. As with most things in life: YOUR RESULTS MAY VARY and WILL.

The ARRL's DXCC program requires that you have a QSL (contact confirmation) card in hand for each contact. Also accepted is the ARRL computer logging system (Logbook of the World) as verification. Waiting for the confirmation cards from around the world, can take over a year, so the WACOM 100 program will require submission of your signed computer log file for verification. **That is all, and that is EASY.**

The start date will be January 1st and ending on June 15th, prior to Field Day, with ceremony & prizes on FD. Logs must be RECEIVED by June 20th at NY9H@arrl.net, with a notation with the category in which you wish to participate. Logs may be submitted by mail or other alternative means.

Categories:

- Amateur licensed 5 years or less reaching 100 countries first
- Amateur licensed 5 years or less with the most countries
- OT (more than 5 years) reaching 100 countries first
- OT (more than 5 years) with the most countries

We intend to maintain a monthly update on our website, and would request that all participants send along monthly summaries. This will keep it very interesting...

All area hams are invited to participate but must advise their intent by email to participate ie: before their first WACOM100 logged contact.

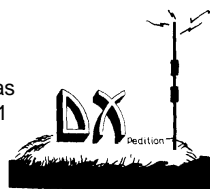
More information and details are available at the WACOM 100 link on the WACOM website at www.wacomarc.org.

Our Main Hamfest Prizes



DX News Briefs

The Amateur Radio Society of India plans to be QRV as **VU4PB** from Port Blair in the Andaman Islands 15 - 31 March 2011. More details to follow — ARSI



S9DX is a team of German operators QRV through 17 February. QSL via DL1RTL. More information at [http://s9dx.hkman.de/](http://s9dx.hkman.de) which includes an online log search— S9DX

WHØSS, the Mariana Friendship Club, will be QRV as **WØS** 15 - 22 February to celebrate the Silver Jubilee of an international exchange program between Japan and Saipan. QSL via JA1HGY. Log available online at <http://www.clublog.org/charts/?c=WØS> — JA1HGY

There may be some activity this month from **DXØDX**, as some of the operators will be doing a "scouting trip", weather permitting, to Pag-Asa to determine prospective sites. This is a prelude to the main operation, which is now rescheduled for April. QSL via N2OO — VK3FY

9G1AA will be active 1 - 20 March, primarily on 15 & 20 M SSB. QSL via PA3ERA — DAGOE Foundation

A team of Mexican & Spanish operators will be QRV as **4A4A** from Isla Socorro, Revillagigedo Archipelago (NA-030) 3 - 30 March. Up to 3 stations will be QRV simultaneously as conditions permit. QSL via EB7DX. More information at <http://revillagigedo2011.com/> — 4A4A

ZF8/ZF2AE will be portable from Little Cayman (NA-016) 23 March to 5 April, holiday style. He will be active primarily afternoons and evenings, and on HF and various FM/SSB satellites. QSL via AA5UK — AA5UK

T2XG will be QRV 17 - 24 May, 40 - 10 meters, CW SSB & Digital modes. He may be QRV as **3D2XG** before & after during stop-overs on Fiji. QSL via JA1XGI — JA1XGI

JX7VPA will be QRV from Jan Mayen 6 - 14 July. The team is looking for at least one additional, experienced operator. Interested? Contact SQ8X at stan.sq8x@gmail.com with their "ham radio references" — SQ8X

Christmas Island OC-024 will be QRV as **T32C** 28 September - 26 October, courtesy of the 5 Star DXers Association. They plan to concentrate heavily on Europe & on the LF bands, with up to 15 stations QRV simultaneously. QSL via G3NUG or via their Online QSL Request service. See their web site <http://www.t32c.com/> for more info — T32C

E3ØA (tentative call) has been announced as an expedition to Eritrea in 2012. They plan to be QRV 6 - 160, CW SSB & RTTY, with up to four stations QRV at the same time. QSL manager may be S52RU, although that is not definite. More information will be available at <http://www.seecc.net/Eritrea2012/index.html> once the web site comes back up, it went down in early February — DX World

QSL Routes

1AØKM via IKØFTA — W6QE
 1A4A via IZ4DPV — LZ1PJ
 4L5O via N3SL — WØBV
 5N7M via OM3CGN — JA1HGY
 5V7TT via I2YSB — W2IRT
 7Z1TT via NI5DX — LU2DKN
 8R1RN via OHØXX — W2IRT
 9J4I via DL9USA — PJ4I
 9L5VT via G3SXW — JA1HGY
 9UØA via DL7DF — W2GI
 AHØVT via 7L1FPU — W5TFW
 AT1ØBP via I1HYW — LU2DKN
 C5A via OM2FY — JA1HGY
 C56E via W7XU — W7XU
 CP4BT via EA5KB — JA1HGY
 D2QV via UTØEA — LU2DKN
 J28JA via F5JFU — DO1DXX
 KC4USV via K1IED — KE1JF
 KG6SL via JH1AJT — W9OL
 PJ2MI via EB7DX — K8AV

PJ2T via N9AG — W3UR
 PJ4A via K4BAI — KZ2I
 PJ4D via W3HKN — PAØWRS
 PJ4W via W3HKN — WO2N
 PZ5T via VE3DZ — JA1HGY
 R1ANC via RN1ON — VE3EXY
 R75OY via RN2RQ — UA6JD
 R11FJ via UA2FM — KZ2I
 S79K via G3NKC — JA1HGY
 T6MB via SP8UFB — SV1DPI
 TO5T via JE1JKL — JA1HGY
 TO7RJ via DJ7RJ — DO1DXX
 TO7ZG via DL7AFS — W9OL
 VK9XO via JA3AVO — JA1HGY
 VU7NRO via VU2UWZ — LZ1PJ
 XV1RCS via N7RO — W3AWU
 XX9TLX via DK7LX — W2IRT
 YJØVK via VK2CA — JA1HGY
 YYJØHA via HA5UK — JA1HGY
 ZD9AH via DL2AH — W2IRT

Thanks to the NJDXA DX News & DX Chat Reflectors, the DX-QSL Reflector, 425 DX News, OPDX News, Diamond DX Club News, ICPO Bulletin, & ARRL DX Bulletin for our DX News information. Thanks also to Bill Moore NC1L / ARRL DXCC Desk, & Bernie McClenny W3UR / The Daily DX for confirmations & additional information.



WASH Classifieds

Information shown here is as supplied to the **WASHRag**. Condition as stated, and all sales should be considered "as-is" unless otherwise noted. All subject to prior sale or withdrawal from sale at the owner's discretion. All responsibility for this information lies with the source and not the **WASHRag** or the **WIRELESS ASSOCIATION OF SOUTH HILLS, INC.**

HAM RADIO INSURANCE ASSOCIATES, INC.
P.O. Box 201
Canonsburg, PA 15317-0201
Toll-Free 1-800-545-8881

Fax: (412) 746-5944

bill.hill@hamradioinsurance.com

"All-Risk" Amateur Radio Equipment Insurance Plan for:

Radio Equipment	Computer Equipment
Antennas Rotors & Towers	Computer Media & Software
Cellular Telephones	
Mechanical Breakdown & Electrical Damage Coverage	



OGS Distributing — Embroidered Apparel, Printed Apparel, Dash Plaques, Award Plaques, Vinyl Graphics, Cyclo Polisher, Car Detailing Supplies. Dan KB3HVN, 6571

Zupancic Drive, Pittsburgh PA 15236, Phone (412) 655-8787, Fax (503) 218-1441, or visit the on-line catalog at <http://www.onlygoodstuff.com>



Nelson Nemes N3PN

Keller Williams Real Estate Professionals

190 Gallery Drive, McMurray, PA 15317
724-941-9400 x121
412 443 7010 Cell
724 941 4969 Fax
nelson4u@kw.com



Antenna Zoning or PRB-1 Issues?

Contact: **Michael S. Lazaroff K3AIR, Esquire**
Murrin, Taylor, Flach, Gallagher & May
110 East Diamond Street, Butler PA 16001
Phone: 724-282-3141 lazaroff@murrinlaw.com

Custom Decals, Signs, Plaques and Woodworking from **Randy George N3ZK**

More information at his web site, Randy George Woodworking <http://www.randygeorgewoodworking.com/>

See his eBay store for special deals at http://stores.shop.ebay.com/Randy-George-Custom-Signs_W0QQ_armrsZ1



Solderer's Wanted: Aerotek, "the largest staffing company in North America, is looking for experienced," is looking for Skilled Solderer's for a firm in Harmarville and possibly other firms as well, for their Electronic Assembly positions.

Aerotek is also seeking individuals interested in any type of work in the manufacturing or production field.

If you are interested in pursuing one of these positions, or interested in other positions available, please contact:

Matthew Lord, Commercial Recruiter
Aerotek Inc.
4 Penn Center West Suite 200
Pittsburgh PA 15276
(412) 489-9829 (phone) (412) 489-9860 (fax)
mlord@aerotek.com

Feel free to mention the **WASHRag** when you call him!

Has Roadway found the tower yet?

FCC News

ARRL Web Extra courtesy of the American Radio Relay League

Newington, CT, February 8th, 2011 — On Monday, February 7th, the FCC released a Public Notice ([DA 11-221](#)), adding a new country to the CEPT reciprocal operating arrangements for US citizens who hold an FCC-issued General, Advanced or Amateur Extra class Amateur Radio licenses. US hams may now operate in Montenegro, as well as the other countries covered by the European Conference of Postal and Telecommunications Administrations ([CEPT](#)), subject to the regulations in force in the country visited, to operate in those countries.



US amateurs with a General class license will be granted CEPT Novice Radio Amateur License privileges, in accordance with [ECC Recommendation \(05\)06 \(as amended\)](#). US amateurs holding an Advanced or Amateur Extra class license will be granted CEPT Radio Amateur License privileges in accordance with [CEPT Recommendation T/R 61-01 \(as amended\)](#). US hams who will be traveling to CEPT countries can now go to these links and see if any new countries have been added to the reciprocal agreements.

While operating an amateur station in a CEPT country, the US amateur must have a copy of the Public Notice, proof of US citizenship and evidence of their FCC license in their possession. They must show these documents to proper authorities upon request.

CEPT countries participating in ECC Recommendation (05)06 as of February 7th, 2011 are: Belgium, Croatia, Czech Republic, Denmark (including Greenland and the Faroe Islands), Germany, Hungary, Iceland, Liechtenstein, Luxembourg, Montenegro, Netherlands, Portugal, Romania, Slovak Republic, Slovenia and Switzerland.

CEPT countries participating in CEPT Recommendation T/R 61-01 as of February 7th, 2011 are: Austria, Belgium, Bosnia and Herzegovina, Bulgaria, Croatia, Cyprus, Czech Republic, Denmark (including Greenland and the Faroe Islands), Estonia, Finland, France (including Corsica, Guadeloupe, French Guyana, Martinique, St Bartholomew, St Pierre and Miquelon, St Martin, Reunion and its Dependencies, Mayotte, French Antarctica, French Polynesia and Clipperton, New Caledonia, and Wallis and Futuna), Germany, Greece, Hungary, Iceland, Ireland, Italy, Latvia, Liechtenstein, Lithuania, Luxembourg, Macedonia, Moldova, Monaco, Montenegro, Netherlands, Norway, Poland, Portugal, Romania, Slovak Republic, Slovenia, Spain, Sweden, Switzerland, Turkey, Ukraine and the United Kingdom (including Northern Ireland, the Channel Islands and the Isle of Man).

ARRL's Logbook of the World (LoTW) -- an online system for amateurs to confirm two-way contacts that can be used for various ARRL awards -- has been upgraded to support awards based on Maidenhead grid squares, such as VUCC and the Fred Fish Memorial Award. To take advantage of the new features, you need to log in to your LoTW account.

VUCC is an open-ended award in that hams can work on throughout their lifetime, just like DXCC. But, like the Worked All States (WAS) award, the VUCC rules require all the contacts to be made from a defined area. For VHF and UHF QSOs on 1296 MHz and below, this distance must be within 200 km on 1296 MHz and below. For SHF awards, contacts must be made from a single location, defined as within a 300 meter diameter circle. As such, the VUCC support in LoTW allows you to make the rule -- or rules -- necessary to find the QSLs in LoTW that satisfy the VUCC rules.

When you log in to LoTW, click on the "Awards" tab. Besides finding the buttons for DXCC and WAS, you will also find a VUCC button. If you wish to use LoTW for VUCC, click on "Create New VUCC Award Account." When you do, you'll see a box where you can name your account. You also have the opportunity to make this your default VUCC account. Click "Save account changes."

At this point, you can manually add QSOs by clicking on "Add a QSO Set to this VUCC account." If you click on "Add rule to QSO Set," this will add a rule that will select current and future QSOs to this VUCC LoTW account.

You do not need to create separate accounts for each band which was used from any geographic location; LoTW will manage your band awards in each account for you. For example, your "home" location is grid square FN31, but you also operated portable from EL97. You will have to create two separate VUCC accounts so that the QSOs you made from EL97 are not credited to FN31.

Beyond these set-up procedures, the VUCC support functions operate much like the way the WAS support in LoTW works: You are allowed to have multiple VUCCs, as long as they are from areas too far apart to be counted as one area. Most people will likely have one "home" or "primary" VUCC area.



WASHfest 2011

The South Hills Hamfest — Now in our **SIXTEENTH** big year!

Sponsored by the WIRELESS ASSOCIATION OF SOUTH HILLS AMATEUR RADIO CLUB, INC.

Sunday, February 27th, 2011

8:00 AM until 3:00 PM Rain or Shine (or Snow!)

Castle Shannon VFD Memorial Hall

3600 Library Road (State Route 88), Castle Shannon, PA

Talk-In on 146.955(-) and 443.650(+) 131.8 PL



(800) 545-8881

DXCC Card Checking Available!

Thanks to WPa Card Checker Art Lund NQ3A

ARRL Atlantic Division Director Bill Edgar N3LLR
ARRL WPa Section Manager John Rodgers N3MSE

*FREE Coffee for the entire Hamfest
courtesy of HAM RADIO INSURANCE ASSOCIATES
of Canonsburg, PA*

Admission Still Only \$5!

MAIN PRIZES — You've Got to play to WIN!

1st Prize: Ameritron AL-811H 800W HF Amplifier

2nd Prize: ICOM IC-92AD D-Star Dual Band HT

3rd Prize: MFJ-269-PRO HF/VHF/UHF Antenna Analyzer

Breakfast & Lunch
provided by
JACK'S CATERING
of Peters Township

Additional Hourly Door Prizes! Special Black Box Prize (Separate Drawing)!

Main Prize tickets are \$2.00 each, 3 for \$5.00, 7 for \$10, 15 for \$20

All Prizes Subject to last-minute changes

Please Note: Early Table Reservations must be paid in full on or before January 31st, 2011. Reservations received after February 1st, 2011 must include payment in full. Reserve now... we have sold out in advance two years running!

For Table Reservations, or More Information, Please Contact:

Carol Danko KB3GMN at (412) 884-1466 n3sbf@comcast.net

E-mail us directly at washarc@yahoo.com Check out our website too! www.n3sh.org

Hamfest Table Reservation Form—Please PRINT LEGIBLY ALL INFORMATION

Name: _____ Email: _____

Address: _____ Phone: () _____ - _____

City: _____ State: _____ Zip: _____

Call Sign: _____

Tables WITH Electricity: _____ X \$15.00 = _____

Tables WITHOUT Electricity: _____ X \$10.00 = _____

Please make all checks payable to:
WIRELESS ASSOCIATION OF SOUTH HILLS
PLEASE MAIL RESERVATION TO:
WASHFEST 2011
c/o CAROL DANKO KB3GMN
4246 Seton Drive
Pittsburgh, PA 15227-1244

We reserve the right to resell any tables not occupied by 8 AM, unless prior arrangements have been made!



WIRELESS ASSOCIATION OF SOUTH HILLS, INC.

Membership Application/Renewal for 2011



I would like to join WASH!. I am interested in the following type of membership: **New Membership** **Membership Renewal**

(check quarter \longrightarrow)
(check one \downarrow)

1st Qtr Jan-Mar **2nd Qtr** Apr-Jun **3rd Qtr** Jul-Sept **4th Qtr** Oct-Dec

- (F1) Full Membership: \$20.00 \$15.00 \$10.00 \$5.00
- (F2) Full Membership < 18 or > 65 yrs of age: \$10.00 \$7.50 \$5.00 \$2.50
- (A1) Associate Membership: \$10.00 \$7.50 \$5.00 \$2.50

(FM1) Family Membership (\$3.00 x No. of household family members): \$ _____

Name(s): _____

Name: _____

Address: _____

City, State: _____

Home Phone: _____

Email Address: _____

Call Sign: _____

License Class: _____

Expires On: _____

Work Phone: _____

Birthday: _____

New Members Only:

- I do NOT want to be added to the Club E-Mail Reflector
 - I do NOT want to be added to the Electronic Newsletter Mailing List
- [If you have an Email address, you Will be added to both lists UNLESS you choose to Opt-Out]

ARRL Member? Yes No Family ARRL Member? Yes No

Date: _____

Signature: _____

Amount Enclosed: \$ _____

Please make your check or money order payable to the club treasurer, Mark Stabryla. The Wireless Association of South Hills, Inc. reserves the right to accept or reject new memberships or renewals. Please return completed membership form along with check/money order to the club treasurer or mail to:

WIRELESS ASSOCIATION OF SOUTH HILLS, INC.
c/o Mark Stabryla N3RDV, VP/Treasurer
1120 McKnight Drive
Bethel Park, PA 15102-2456



Join the American Radio Relay League or Renew Your Membership through the WIRELESS ASSOCIATION OF SOUTH HILLS, INC.



Members of the WIRELESS ASSOCIATION OF SOUTH HILLS can start a new membership or renew an existing membership in the American Radio Relay League, the National Organization of Radio Amateurs, through the club. Benefits for you: Joining and participating in everything the League has to offer, including a QST subscription. Benefits for the club: A few more shekels for our coffers.

Just fill out the form below, include a check or money order made out to WASH/ARRL, and return all to the club treasurer or mail to:

WIRELESS ASSOCIATION OF SOUTH HILLS, INC.
c/o Mark Stabryla N3RDV, VP/Treasurer
1120 McKnight Drive
Bethel Park, PA 15102-2456

Name: _____

Call Sign: _____

Address: _____

Date of Birth: _____

City, State, ZIP: _____

Total Enclosed: \$ _____

Please Check the Appropriate One-Year Rate:

- \$39 in US
- Age 21 or younger, \$20 in US (only if you are the oldest licensed amateur in your household)
- Canada \$49
- Elsewhere \$62
- Other (including Blind, Life, QST by First Class Postage — please contact ARRL for rate)

Additional Family Members at the same address (\$8 per family member)

Dues subject to change without notice

Name & Call Sign: _____

Name & Call Sign: _____

Name & Call Sign: _____

"Echoes of Apollo" EME Project continued from Page 1

pulsar/K1JT/index.html.

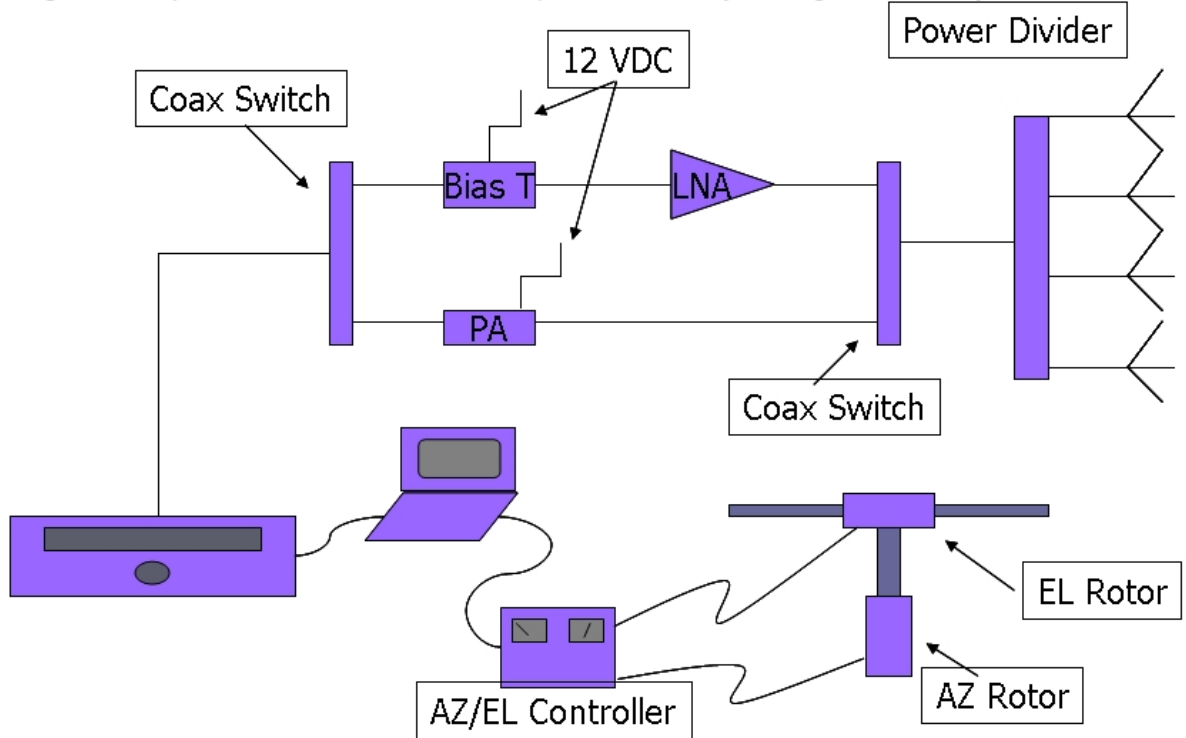
I will prepare a list of equipment and materials required to purchase for discussion at the next club meeting (February 10th, 2011). We will need to decide finally to proceed with either purchase of antennas or materials to build our own. If we choose to build our own antenna array, it will need commitment to see the construction through. I discussed this with Jim Sanford WB4GCS and he tentatively volunteered to lend his workshop to prepare parts for the antenna array, but I want to give him a chance to back out in case he has time constraints that might restrict his participation.

In Figure 1 below and that I presented at the December WASH club meeting I identified what we need to procure/build and what will be borrowed. The top half of the diagram will need to be purchased and/or constructed including the LNA/bias T, power divider, coax and antenna array. I have an alternative idea that could simplify this part of the EME station but I need to consult WB4GCS and N3FB to be sure my idea is workable. Along with the power amplifiers, the equipment depicted on the bottom half of Figure 1 can be borrowed from club members (mostly me).

Although we have less than 2 months to assemble and prepare the EME station, with some effort on the part of the club we should still have plenty of time. I hope you agree and will lend your support and cooperation.

— 73, Kevin Smith N3HKQ

Figure 1- Proposed 70-cm EME Station For April 9th Star Party at Mingo Observatory



The WASHRag

Wireless Association of South Hills, Inc.

Ron Notarius W3WN, Editor

3395 Rosewood Drive

Castle Shannon, PA 15234-2546



N3SH / WA3SH
NP2SH/B

www.n3sh.org
www.washarc.org
www.washrag.info

