

# WASHRAG <sup>TM</sup>



Sincerely Yours, 73s  
Martin F. Jue, K5FLU

Sincerely Yours, 73s  
Martin F. Jue, K5FLU

VOLUME 26 ISSUE 05  
MAY 2024



## A Heavy Sad Heart



## A Heavy Sad Heart

Dear Fellow Hams and Friends,

April 25, 2024

Dear Fellow Hams and Friends,

It is with a sad heart as I write this letter:

As many of you have heard by now, MFJ is ceasing its on-site production in Starkville, Mississippi on May 17, 2024. This is also the same for our sister companies Amertron, Hygain, Cushcraft, Mirage and Vectorics.

Times have changed since I started this business 52 years ago. Our product line grew and grew and prospered. Covid changed everything in businesses including ours. It was the hardest hit that we have ever had and we never fully recovered.

I turned 80 this year. I had never really considered retirement but life is so short and my time with my family is so precious.

I want to thank all of our employees who have helped build this company with me over the years. We have many employees who have made MFJ their career for 10, 20, 30, 40 and more years.

We are going to continue to sell MFJ products past May 17, 2024. We have a lot of stock on hand. We will continue to offer repair service work for out-of-warranty and in-warranty units for the foreseeable future.

Finally, a special thanks to all of our customers and our dealers who have made MFJ a worldwide name and a profitable business for so many years. You all are so much appreciated.

Sincerely Yours, 73s  
Martin F. Jue, K5FLU

Dear Fellow Hams and Friends,

April 25, 2024

Dear Fellow Hams and Friends,

It is with a sad heart as I write this letter:

As many of you have heard by now, MFJ is ceasing its on-site production in Starkville, Mississippi on May 17, 2024. This is also the same for our sister companies Amertron, Hygain, Cushcraft, Mirage and Vectorics.

Times have changed since I started this business 52 years ago. Our product line grew and grew and prospered. Covid changed everything in businesses including ours. It was the hardest hit that we have ever had and we never fully recovered.

I turned 80 this year. I had never really considered retirement but life is so short and my time with my family is so precious.

I want to thank all of our employees who have helped build this company with me over the years. We have many employees who have made MFJ their career for 10, 20, 30, 40 and more years.

We are going to continue to sell MFJ products past May 17, 2024. We have a lot of stock on hand. We will continue to offer repair service work for out-of-warranty and in-warranty units for the foreseeable future.

Finally, a special thanks to all of our customers and our dealers who have made MFJ a worldwide name and a profitable business for so many years. You all are so much appreciated.

Sincerely Yours, 73s  
Martin F. Jue, K5FLU



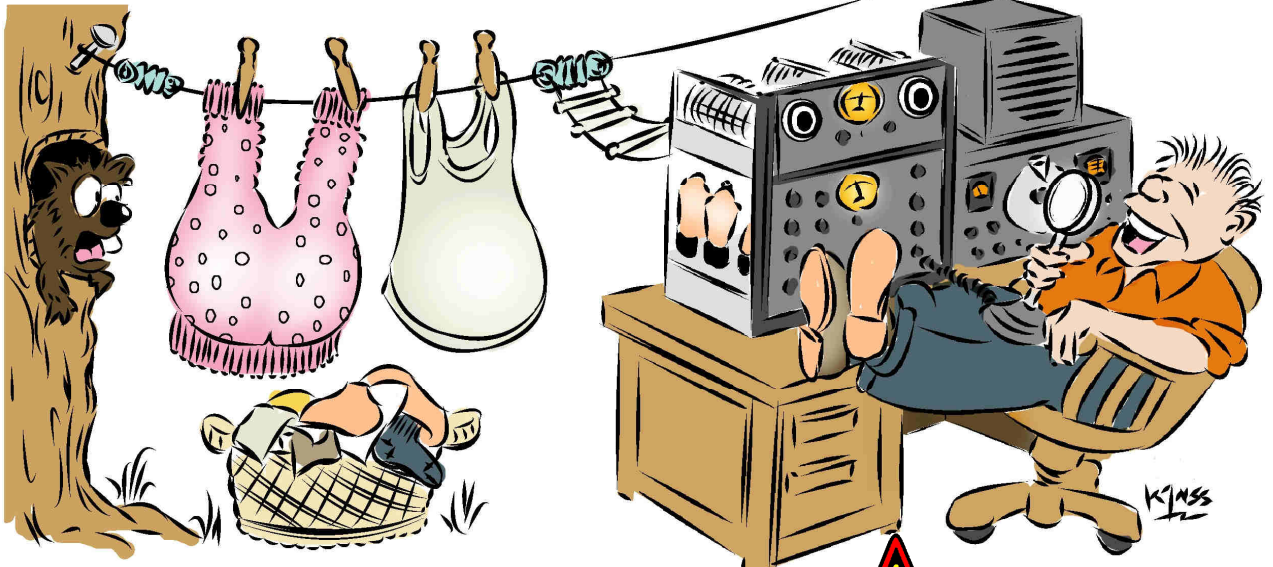
## A Heavy Sad Heart



## A Heavy Sad Heart



# Wireless Association of South Hills



# WASHRAG™



VOLUME 26 ISSUE 05

MAY 2024

## Next Monthly Meeting: Thursday, May 2<sup>nd</sup>, 2024

The next scheduled meeting of the WIRELESS ASSOCIATION OF SOUTH HILLS, INC. will be on **Thursday, May 2<sup>nd</sup>, 2024**, starting at 7 PM, at the **ST. CLAIR HEALTH OUTPATIENT CENTER VILLAGE SQUARE CONFERENCE ROOM**, 2000 Oxford Drive, Bethel Park PA 15102, adjacent to Village Square Mall, across from South Hills Village Mall, just off US Route 19.

Topics Include: Field Day 2024, Breezeshooters, Hamvention, and other 2024 Plans, and much more.

See you there!

Cover: Well, sad news that we really hoped to never see. More information on Page 7  
Letter courtesy of Martin F. Jue K5FLU

## WASH 2024 OFFICERS

### EXECUTIVE COMMITTEE:

President	Tom Galante KB3NIX
VP / Secretary	Nathan Suehr KC3GMM
VP / Treasurer	Mark Stabryla N3RDV

### AND WE COULDN'T DO IT WITHOUT:

N3SH Trustee	Larry Comden K3VX
WA3SH Trustee	Rich Danko N3SBF
NP2SH Trustee	Paul Jordan NP2JF
N3SH WA3SH NP2SH/B QSL Manager	Ron Notarius W3WN
NP2SH 2009 QSL Manager	Carl Schroeder K9CS
VE Team Liaison	Grant Olson KC3MLC
Webmaster	Curtis Turner KB3CMT
Quartermaster	Harold Rosenberger K3HCR
WASH FM Net Manager	Chuck Bihun KC3ELA
WASHFest 2025 Committee	Ron Telek W3LE, Chair
	Bill Hill W3WH
Activities & Operating Events	Glen Roberts KE7FD
Ways & Means	Rick Bell KB3IAC
WASH 2M Contest Chair	Carol Danko KB3GMM
Field Day 2024 Coordinators	Glen Roberts KE7FD
	Frank Bobro N3FB
	Bill Hill W3WH (emeritus)
	Larry Comden K3VX (emeritus)

### CLUB-AFFILIATED REPEATERS, BEACONS, & DIGIPEATERS:

Mt. Lebanon	N3SH / R	146.955 MHz (-)	PL 131.8
North Side	N3SH / R	442.550 MHz (+)	PL 131.8
Canonsburg	N3FB / R	443.650 MHz (+)	PL 131.8
St. Johns, VI	NP2SH / B	28.276 MHz	Propagation Beacon
Canonsburg	N3SH	144.390 MHz	APRS Digipeater

N3SH / WA3SH WASHNet, the weekly on-air net of WASH, meets every Monday Night, 8:00 PM ET, on the 146.955 & 443.650 repeaters. All radio amateurs, WASH members or not, are welcome to join in!

## THE LEGAL STUFF

"The WASHRag™" (formerly "The Mariner™") is the Official Newsletter of the WIRELESS ASSOCIATION OF SOUTH HILLS, INC. (WASH), a 501.C.3 not for profit organization.

Published Monthly with occasional Special Editions as warranted.

This issue is © Copyright 2024 by the WIRELESS ASSOCIATION OF SOUTH HILLS, INC.

Editor & Publisher: Ron Notarius W3WN

Permission is granted to other Amateur Radio publications to reprint articles in this issue, provided the original author and "The WASHRag™" are given credit. Comments, articles, and requests for copies of or information about "The WASHRag™" should be mailed to the editor:

Ron Notarius W3WN  
3395 Rosewood Drive, Castle Shannon, PA 15234-2546  
e-mail: w3wn at arrl dot net

"The WASHRag", "The Mariner", SHARCfest, South Hills Hamfest, WASHfest, WASHfest 2024, N3SH Net, WA3SH Net and WASHNet are™ trademarks of the WIRELESS ASSOCIATION OF SOUTH HILLS, INC.

The WIRELESS ASSOCIATION OF SOUTH HILLS, INC. was founded on August 23<sup>rd</sup>, 1993, as the original SOUTH HILLS AMATEUR RADIO CLUB, and operated under that name through 1998. WASH was also known briefly in late 1998 as the N3SH AMATEUR RADIO CLUB. It is not in any way affiliated with the "South Hills Amateur Radio Club, Inc." and is not responsible for that group, it's members, or it's actions in any way, shape, or form.

As always, special thanks to the owners & operators of both the N3SH/R Repeaters and the N3FB/R Repeater System for permitting the WIRELESS ASSOCIATION OF SOUTH HILLS, INC. and it's members to use their repeaters for club purposes.

# WASH Amateur Radio Club News Briefs

## Next WASH VE Test TBA

The Next WASH VE exam session will be on **Sunday, February 25<sup>th</sup>, 2023, 10:00 AM**, at **Home Economics Building, South Park**, 3735 Buffalo Drive, South Park Township, during **WASHFest 2024**. Talk-in on

The dates and locations for upcoming VE Exams have not been set yet.

As soon as the information is available, it will be published in the newsletter and on the N3SH website.

Thank you for your patience!

the 146.955 MHz repeater. All examiners are ARRL VEC affiliated.

**Pre-registration is encouraged. Walk-ins taken on a space/time available basis.**

If you plan on attending the test session, please contact VE Team Liason Grant Olson KC3MLC: [kgo@grant-olson.net](mailto:kgo@grant-olson.net)

## A Few Words



I would like everyone to please attend the meeting on Thursday. This meeting is really important because we need to firm up our Field Day plans so I would like to hold any other items other than our standard committee reports for later meetings, since I think most of the meeting will be used to move forward with our Field Day activities. Hope you are all able to attend. Thanks!

See all of you on Thursday.

— 73, Tom Galante KB3NIX

President, WIRELESS ASSOCIATION OF SOUTH HILLS, Inc.  
N3SH / WA3SH / NP2SH

Allegheny County EC Bob NU3Q is still looking for just a few more operators to help out at this year's Pittsburgh Marathon on May 5<sup>th</sup>.

Sign-up page is located at <https://pittsburghthreerivermarathoninc.volunteeralocal.com/volunteer/?id=81694>

## Reminder: The May WASH Meeting location will be at The St. Clair Health Outpatient Center Village Square in Bethel Park! Map and directions are on Page 14. Meeting begins at 7 PM.

Saturday, April 27<sup>th</sup>, started off as another moist and misty morning in what is reportedly the wettest April on record in WPA. But did that stop the intrepid members of the **WASH BREAKFAST GANG**? Nah! This month, the **McMURRAY EAT'N PARK, 3380 WASHINGTON ROAD** hosted WB4GCS, NY9H, N3DFK, N3FB, KC3GMU and W3WN. Conversational anecdotes this month covered using N1MM+ for Field Day logging, Micro\$oft Windows issues with laptops, Office 365 vs. Office 2019, the Golden Key and boarding parties, video monitor "prison bars," "material history," old IED Paging Systems and Airport Maintenance Agreements, repairing equipment at the component level vs. the board level, programming in Assembler, Intel vs. Motorola CPU architecture, SGC gone, MFJ going, going... almost gone, shunt feeding towers, automatic antenna tuners, running HF mobile in Toyotas, 48 VDC cars... and a good deal more that got overlooked while we hit the breakfast bar!

Sound like you missed out? Well, maybe you did, so why not try and join us at the next gathering, on Saturday, May 25<sup>th</sup>, at the **McMURRAY EAT'N PARK, 3380 WASHINGTON ROAD**. See you there!

You probably saw quite a few emails on the WASH Club Email Reflector about **PA Senate Bill 37**. The intent of the bill is good... to try and remove one more aspect of modern life that is contributing to distracted driving and the consequences thereof. The problem with the current iteration of the bill is that the exemption that was included for licensed Amateur Radio Operators got excised somewhere along the way... which means you could be legitimately, and safely, operating HF, VHF, or UHF mobile with a PTT hand mike in one hand... and get pulled over and ticketed. All due to unintended consequences from poorly rewritten legislation. But it's not about the money. It's about overreaching legislation that, you should pardon the expression, throws out the baby along with the bathwater. It is in the best interests of all Amateur Radio operators to write their state legislators... now... and express your concerns. There are several sample letters posted on the reflector; if you need one, just ask and it will be forwarded. But please, don't simply copy a letter and sign your name to it. Lots of form letters with different signatures are nice; but individual, personalized notes that look like YOU wrote them (because you DID) have much more effect. We strongly urge you to not put it off, and do this... today... to as many state legislators as you can contact. It helps!

So, who's going to **Hamvention** this year... do we want to get together for dinner Friday or Saturday evening?

**N3SH Field Day 2024** will be here before you know it. A lot of planning has already been going on behind the scenes, thanks to the efforts of Frank N3FB and the rest of the FD Committee. Now they appear to have things well in hand, but they can't do it all alone. As Tom mentioned above, the May meeting is going to concentrate on 2024 FD planning, to try and cover all the bases. So if you're planning to be involved, and remember, no experience necessary, please be at the meeting this month to lend a hand!

**Breezeshooter's Hamfest** is about a month off! Going? Yes, there will be the usual WASH club picnic. After Breezeshooter's and Field Day, we have a lot of Summer events coming up as well, including the PVGP and a lot more hamfests! Don't miss out!



**Join WASH or Renew your Membership Today! Membership Application on Page 13**



# Minutes, April 4<sup>th</sup> Meeting

Nathan Suehr KC3GMM, Vice President / Secretary, WASH

Call to Order: 19:02.

Pledge of Allegiance, Moment of Silence for Silent Keys and others deserving.

Roll Call. 21 Members, 0 Guests Present

## Committee Reports:

**Treasurer:** Financial report provided electronically by Mark (N3RDV) read by Secretary Nathan (KC3GMM). Motion to accept the report by Kathy (KA3VXM) with second by Eric (K3SGT). Voted and carried.

**Secretary Nathan (KC3GMM):** March meeting minutes published in the April WASHRag. No corrections to the minutes. Motion to accept minutes by Bill (W3WH) with second by Jeff (N3JSF). Voted and carried..

**Repeaters:** Frank (N3FB) – Repeating. Has some items from Civil Air Patrol for the repeater to go to storage.

**WASHNet:** No report.

**Thursday night tech talk:** Still looking for anybody that is willing to present for April. May provide another video if we get nothing else. Side note: Check out Jim Heath on Youtube..

**Public service:** Mike (WA3PYU) -

- Pittsburgh Marathon (May 5<sup>th</sup>). NU3Q is short on volunteers and needs forty more. Most needed are shadows and aid stations. This coming Saturday is a SET drill on the .09 repeater
- Frank (N3FB) - PA Trolley Museum is having a special event May 4th and 5th and are looking for folks to operate as W3T. Also looking for volunteers to give a demonstration for a history of communication event. Reach out to WA8JAN to help.
- Tom (KB3NIX) - Stephen (K3SEM) spends some time helping out there.
- Mike (WA3PYU) - May 22<sup>nd</sup> Red Cross and FEMA are having a drill on 2m and an HF band. Will likely be a daytime event. More information to come.
- Larry (N3VX) - Hamsci web site is having a solar eclipse QSO party to see the effect of an eclipse on radio propagation.

**WASHFest:** no news as per Ron W3LE

**Newsletter:** Ron (W3WN) If you did not get a copy of the WASHRag, let him know and he'll make sure you get a copy.

**VE:** Grant (KC3MLC): Trying to lock in a Thursday session at WPXI. Shooting for mid June to beat the July expiration of the Extra pool.

**Ways & means:** Carol (KB3GMN): Nothing.

**Field Day 2024:** Frank (N3FB) -

- Will be busy during month of June. We have four radios. We need networking equipment (Jeff N3JSF will do it). Need a food person. Carol will make ham BBQ. Need to get ahold of Charmel for social media/promotion.
- Larry (K3XV) - Will contact the County Council rep from last year.
- Tom (KB3NIX) - Will ask NU3Q to stop by as an ARRL rep. Will reach out to some others he knows to see if they will stop by. Libraries are good places for publicity.
- Frank (N3FB) - Invite the County Police
- Gary (KB3YCX) - Should we make a flyer and post it around the area?
- Mike (WA3PYU) - ARRL offers a \$125 package of their books that Steel City is planning on purchasing to donate to Carnegie Library in Carnegie. Perhaps N3SH could consider the same for Mt. Lebanon library.
- Bill (W3WH) - Peters Township library may also be interested.
- Carol (KB3MN) - Would hamburgers and hotdogs work? Carol can bring the grill and Harold (K3HCR) will cook.
- \*\*\* Further discussion about inviting government officials to Field Day \*\*\* Grant (KC3MLC) - ARRL book package is \$250

**Contest:** No report.

**Old Business:** None

**New business:**

- Tom (KB3NIX) - Would the club like to sponsor a plaque for the PA QSO Party at a cost of \$40?
- Ron (W3WN) - Club has sponsored this plaque for several years now. Club name is on the plaque and provides some publicity.
- Bill (W3WH) Motion to sponsor the PA QSO Party Out of State Single Op High Power plaque with Harold (K3HCR) second. Voted and carried.

Continued on Page 5

# WASH Spotlight:



Gary KB3YCX and Bob N3RDG at the April 2024 WASH club meeting.

Photo courtesy of and © Copyright 2024 Ron Notarius W3WN

Every month we're going to feature a WASH club member, something about them, something they're involved in or a club-related activity that we're involved in, in the WASH Spotlight.

Submissions for the Spotlight should be sent to Ron W3WN at [newsletter at n3sh dot org](mailto:newsletter@n3sh.org)

## Monthly WASH Breakfast



Please join us for the next WASH Breakfast! We usually get together on the LAST Saturday of every month for a chance to informally sit down, shoot the breeze, compare notes, drink lots of coffee, and just have a good time!

Join us this month at **Eat'n Park**, 3380 Washington Road (US 19), McMurray. Start time is about 8 AM until ????. Monitor 146.955 & 443.659 for talk-in or any last minute changes.

All are welcome, WASH members or not, amateurs or not!

## Wireless Association of South Hills Membership

AC3WM  
AC4KU  
AE3DL  
K3GW  
K3HCR  
K3OCT  
K3SEM  
K3SGT  
K3VX  
K6DWR  
KA3VXM  
KB3BYA  
KB3GMN  
KB3GMU  
KB3GUZ  
KB3IAC  
KB3IVX  
KB3JHR  
KB3NIX  
KB3YCX  
KC3ELA

KC3GMM  
KC3MLC  
KC3UUK  
KC3VQR  
KC4WTT  
KE7FD  
N3DFK  
N3FB  
N3FFS  
N3JSF  
N3RDV  
N3RXO  
N3SBF  
N3TBJ  
N3TDB  
N3TDE  
N3UE

NB3C  
NL7XM  
W3LE  
W3WH  
W3WN  
W8LEV  
WA2YEZ  
WA3PYU  
WA3VSS  
WB4GCS  
Charmel  
Spirk

WASH FL  
KA3UPY/M  
WASH NE  
NØPEU  
WASH OH  
N8DPW  
WASH OR  
KB3NVL  
KB3NVM  
NØVLR  
WASH SC  
N8NEU

WASH TN  
K3OL  
KE3XB  
N3YPB  
WASH TX  
NB3C  
K3LGM  
KB3IJX  
Jane Wagner  
WASH VI  
NP2JF

### Silent Keys

AB3KA  
AB3ED  
AC4KU  
AD3Q  
K3EED  
K3LIE  
KA3NMG  
KB3ENX  
KB3FNM  
KB3FOT  
KB3JHQ  
N3BPB  
N3CZZ  
N3FZ  
N3HKQ  
N3KEH  
N3OBD  
N3RNX  
N3SKR  
N3SRC  
N3ZEL  
N3XFE  
W3ZLK  
W4ZE  
WA3JPP

If your call should be listed here & isn't, please contact Mark N3RDV

Through April 28<sup>th</sup>, 2024

List compiled by

Mark Stabryla N3RDV, Vice President/Treasurer

# 2024 WASH Upcoming Events Calendar

## Club Meetings & Other Significant Events — Subject to Change

April 29 <sup>th</sup> — May 12 <sup>th</sup>	W3T Special Event Station for Vintage Communications Weekend	Pennsylvania Trolley Museum, 1 Electric Way, Washington PA 15301
May 2 <sup>nd</sup>	WASH Meeting	St. Clair Health Outpatient Center Village Square Conference Room, 2000 Oxford Drive
May 5 <sup>th</sup>	City of Pittsburgh Marathon	<a href="https://www.thepittsburghmarathon.com/">https://www.thepittsburghmarathon.com/</a>
May 17 <sup>th</sup> — 19 <sup>th</sup>	Hamvention 2024	Greene County Fair & Expo Center, 210 Fairground Road, Xenia OH 45385
May 25 <sup>th</sup> — 26 <sup>th</sup>	CQ WPX Contest CW	<a href="https://cqwp.com/">https://cqwp.com/</a>
June 6 <sup>th</sup>	WASH Meeting	St. Clair Health Outpatient Center Village Square Conference Room, 2000 Oxford Drive
June 8 <sup>th</sup> — 10 <sup>th</sup>	ARRL June VHF Contest	<a href="http://arrl.org">http://arrl.org</a>
June 9 <sup>th</sup>	67 <sup>th</sup> Annual Breezeshooters Hamfest	Butler Farm Show Grounds, 625 Evans City Road, Butler PA 16001
June 22 <sup>nd</sup> — 23 <sup>rd</sup>	ARRL Field Day	<a href="http://arrl.org">http://arrl.org</a>
June 22 <sup>nd</sup> — 23 <sup>rd</sup>	WASH Field Day	Babcock Grove, South Park
July 4 <sup>th</sup>	WASH Meeting (to be rescheduled?)	St. Clair Health Outpatient Center Village Square Conference Room, 2000 Oxford Drive
August 1 <sup>st</sup>	WASH Meeting	St. Clair Health Outpatient Center Village Square Conference Room, 2000 Oxford Drive
August 3 <sup>rd</sup> — 4 <sup>th</sup>	Pittsburgh Vintage Grand Prix Schenley Park	<a href="https://pvgp.org/">https://pvgp.org/</a>
August 10 <sup>th</sup>	Uniontown ARC W3PIE Gabfest	433 Old Pittsburgh Road, Uniontown

## Meeting Minutes

Continued from Page 4

- Curtis (KB3CMT) - Working with GoDaddy on an issue with the web site.
- Ron (W3WN) - Missed the Kilowatt award last time around.
- Curtis (KB3CMT) - Will chat with Tom and resolve.

### Good of the order:

- Richie (N3SBF) - Two Rivers Hamfest on Sunday.
- Glen (KE7FD) - Getting rid of a few computers if anyone is interested. Check your email.

**Motion to adjourn** by Bill (W3WH) with second by Ron (W3WN). Voted and carried..

**Adjourned** at 19:56 04/04/2024





# "Seen" at the April Meeting

Photos courtesy of and © Copyright 2024 Ron Notarius W3WN





# MFJ Going Out of Business

## On-Site Production Ceases May 17<sup>th</sup>

American Radio Relay League and multiple other sources



Newington, CT, April 26<sup>th</sup>, 2024 — MFJ Enterprises, Inc founder Martin F. Jue K5FLU announced that as of May 17<sup>th</sup>, 2024, the company will cease on-site production at their Starkville, Mississippi, facility. Ameritron, Hy-Gain, Cushcraft, Mirage, and Vecronics brand products will be affected by the shutdown.

In a letter posted to social media, Jue said he is looking forward to retiring.

*Times have changed since I started this business 52 years ago. Our product line grew and grew and prospered. Covid changed everything [for] businesses, including ours. It was the hardest hit that we have ever had, and we never fully recovered.*

*I turned 80 this year. I had never really considered retirement, but life is so short, and my time with my family is so precious.*



Jue founded MFJ Enterprises in 1972, after building a CW filter kit that sold for less than \$10. Since 1990, the company has acquired several other legacy brands within the amateur radio market. Jue shared that the company will remain open to sell existing inventory because they have "a lot of stock on hand." They will also continue to offer repair services for the foreseeable future.

Jue expressed gratitude to the many longtime employees of MFJ, some of whom have been with the company for 40 years. He also thanked MFJ dealers and radio amateurs for their patronage over the decades.

He also sent a special message to ARRL Members, and loyal QST readers:

*"I give my deepest heartfelt thank you to my fellow hams all over the world and especially to ARRL members and QST readers. In my youth, I was given a second-hand set of 1958 QSTs. I read them over and over until I practically memorized every word. This gave seed to MFJ.*

*MFJ became a worldwide ham radio leader only because of you. As I turned 80, I cannot thank you all enough for 52 wonderful ham radio years. Thank you, 73s . . . Martin F. Jue, k5flu"*

# Harbach Electronics Closes

## Business Transitioning to New Ownership

Jeff Weinberg W8CQ

Polk, OH, March 31<sup>st</sup>, 2024 -- Due to being diagnosed with Parkinson's Disease, Harbach Electronics will be closed.

Scott KB1SEL ([amprepairguy.com](http://amprepairguy.com)) will be taking over Harbach Electronics. Scott will do an excellent job of carrying on the Harbach Electronics name and reputation! I am working through small pending orders as I am able. Large orders which I am having trouble with will be canceled and refunded via the method of purchase.

I will try to have the transition to Scott move as quickly as possible but please give Scott and myself some time to get this all worked out as it has happened so quickly.



# MTC Radio Becomes Exclusive NA

## Distributor for SPE Expert Amplifiers

Richard Lenoir K15DX  
Christine Lenoir N5RDJ

Paris, Texas, April 1<sup>st</sup>, 2024 — Main Trading Company (MTC Radio), a leading provider of amateur radio equipment, is proud to announce its new partnership with SPE Expert, the renowned Italian manufacturer of high-quality amplifiers. As of today, MTC Radio is the exclusive distributor of SPE Expert amplifiers in North America.

For nearly 15 years, MTC Radio, owned by Richard and Christine Lenoir, has been a trusted name in the amateur radio community. Their commitment to excellence, customer service, and passion for ham radio has made them a go-to destination for operators across the continent.

a strategic move, MTC Radio has formed a new company: **Expert Amps USA, LLC**. Effective immediately, Expert Amps USA will take on the role of North American Distributor for SPE Expert amplifiers. This collaboration ensures that ham operators throughout North America will have access to cutting-edge amplification technology.



2707 Lamar Ave  
Paris Tx 75460  
903.737.0773



MTC Radio and Expert Amps USA are thrilled to announce that they will be offering **factory authorized service** for SPE Expert amplifiers. Whether you need routine maintenance, repairs, warranty service or technical support, our skilled technicians are here to keep your amplifiers performing at their best. The Factory Authorized service center in Florida is continuing its operation and by Summer of 2024 there will be another repair center in Texas.

Richard Lenoir, co-owner of MTC Radio, had this to say: *"Our journey has been like a Summer Field Day in Texas—sometimes challenging, but always rewarding. Now, with Expert Amps USA, we're ready to amplify the ham radio experience across North America. Let's make waves, Baby!"* Richard went on to say, *"MTC and Expert Amps, this is like a match made in heaven"*

Richard's unique blend of technical expertise and humor keeps the team motivated, and the customers entertained.

# W7PRA—7QP 2024

Paul Lusardi NØVLR

President, Peak Radio Association

Lebanon, OR, April 3<sup>rd</sup>, 2024 – My local club, the Peak Radio Association (W7PRA) in Oregon will be operating expeditionary portable for the 7<sup>th</sup> Area District QSO party <http://www.7QP.org>. Each year with

various campers (and tents for the brave ones) we return to the Ochoco National Forest on the Crook and Wheeler county line (ORCRO/ORWHE) at 5500' ASL and operate somewhere between 4-6 stations on all HF contest bands and modes.

Some operate from the snow-warming hut (pictured) and others from their camper/trailers

Pictures are from 2023, and we ended up taking first place in our category, the state, and each county

A last minute visit from mother nature with 13" of snow as woke up Sunday morning

Hoping to work folks in WASH!

The contest is May 4<sup>th</sup> - 5<sup>th</sup>, and we exchange a 5 letter state-county abbreviation - it is also the same weekend as other QSO parties and may be difficult to get through – just saying.

All photos courtesy of and © Copyright 2023, 2024 Paul Lusardi NØVLR



## Whatever Happened with By-Law 46?

An Editorial

Ron Notarius  
W3WN

As many of you may recall, last Fall and early Winter there was a great deal of discussion about proposed changes to ARRL By-Law 46, namely the ARRL Board's Conflict of Interest Policy. To put it simply, a good many concerns were raised that this was an effort by ARRL Management to prevent Board members from opposing policies, or openly discussing them with the Membership.

At the January 2024 Board meeting, the Board voted unanimously to "consider revisions at a later date" and, as per the ARRL Member Bulletin, approved "the establishment of a committee appointed by the ARRL President to affirm the set of ethics guidelines and standards for the Board. In addition to the guidelines, the committee will review By-Laws 42 (Ethics and Elections Committee) and 46 for possible revision. The committee will also engage with a competent legally qualified independent third party to handle all Ethics & Elections inquiries in the future."

Sounds good, right? The Membership spoke, overall against the proposal, and it wasn't voted for.

But it was postponed. And there has been silence on the subject ever since.

I've seen this behavior before... just ask Dave K3SK about the tower permit debacle at his former QTH, back in his KC3CL days (circa 1980-81, pre-PRB-1, incidentally, and I'm sure he won't thank me for dredging this up). Long story short, the issue was referred to a "committee" by the Township supervisors... a committee made up of the two supervisors who were against towers... who conveniently found against antenna towers and had the ruling stand. The difference? The committee was announced in front of a packed house of concerned citizens and local amateurs; the results were voted on at a 'normal' meeting a month later in front of few audience members.

So with Hamvention approaching, and most Division Directors (if not all) and ARRL officials expected to be present, it behooves anyone concerned on the issue to NOT forget about it, but to mention it to anyone in earshot at the ARRL area.

The ARRL is a membership organization... of, by, and for the members. Muzzling Board members... the Board members we elect, and who are supposed to represent us to the Board as a whole... under the guise of a "Code of Ethics" should not and can not be allowed to happen.

The May 2024 QST Editorial sees the ARRL CEO asking for a "reset" of how the Membership should treat the League (read: League Management), with the implication that speaking against him or his policies is being anti-ARRL. On the contrary. Being members of the League means or should mean that we DO voice our opinions, even when we are in the minority, or speaking against policies. If the Leadership doesn't hear, or chooses to ignore, other opinions, they are not only not doing their job, but run the real risk of making fatal mistakes for the organization because they have nothing by "yes men" whispering in their ears.

I've been a member of the ARRL since I was a teenager, joining a few months after I got my first Novice ticket. I am not going to sit idly by when someone tells me that my opinion has no value and that my Division Director isn't allowed to discuss things with me.

I'm all for a "reset." But that has to go both ways.

Will it?

Talk with your Division Director. Talk with as many of them as you can. Don't let this get snuck in when no one is looking... by then it will be too late.



# 67<sup>th</sup> Annual Breezes shooter's Hamfest

Sunday, June 9<sup>th</sup>, 2024

**Butler Farm Show Grounds**

625 Evans City Road, Butler, PA 16001

Site of the 2024 ARRL WPA Section Convention

8:00 AM—2:00 PM

More Information at [breezeshooters.org/ns/hamfest](http://breezeshooters.org/ns/hamfest)

Or email [hamfest@breezeshooters.org](mailto:hamfest@breezeshooters.org)



# SOMERSET COUNTY ARC HAMFEST

Sunday, July 7<sup>th</sup>, 2024, 8:00 AM— 1:00 PM

Sponsored by the Somerset County ARC K3SMT

**Somerset County Technology Center**

281 Technology Drive, Somerset, PA 15501

Talk-in on 147.195 & 443.250 PL 123 General Admission \$5

More Information at <https://k3smt.org>



# UNIONTOWN ARC 74<sup>TH</sup> ANNUAL GABFEST

Saturday, August 10<sup>th</sup>, 2024, 8:00 AM—???

Vendor Setup prior to 8:00 AM

**Uniontown ARC W3PIE Clubhouse**

433 Old Pittsburgh Road, Uniontown, PA 15401

Talk-in on 147.045 PL 131.8

More Information at <http://www.w3pie.org>



# 2024 SKYVIEW SWAP 'N' SHOP

Sunday, August 25<sup>th</sup>, 2024, 8:00 AM—1:00 PM

Vendor Setup prior to 8:00 AM

**Skyview Radio Society K3MJW Clubhouse**

2335 Turkey Ridge Road, New Kensington, PA 15068

Talk-in on 146.64 PL 131.8 Admission \$5

More Information at <http://www.skyviewradio.net>



# The WPX Program Needs Your Help

Jonathan Cunitz W1CU

Westport, CT, April 21<sup>st</sup> 2024 – As you are aware, CQ Magazine stopped publishing after September 2023 for financial reasons. Sadly, this extraordinary publication that has brought technical articles, news and support of the worldwide amateur radio community since 1945 may have come to an end.

The CQ World Wide WPX Contest now is administered by the World Wide Radio Operators Foundation (WWROF), but the WPX Program is in limbo. The WPX Honor Roll no longer can be listed in CQ Magazine. The WPX Program Manager (N8BJQ) appears to be seeking to end his administration of the WPX Program after many years of time-consuming and thoughtful efforts.

I have been active in the WPX Program for over 50 years, similar to many other stations. My correspondence with over 75 Honor Roll stations shows a strong interest in maintaining the program after their years of time and funds spent working and confirming new prefixes. The rule of deleting unused prefixes after ten years became overwhelming to apply to each station on an annual basis as many of those prefixes became active again. My survey in 2023 of the top Honor Roll stations showed 100% interest for deleting this rule.

In order to maintain the continuity of the WPX Program, I have created a short-term solution until such a time that a new organization and WPX Program Manager takes over. The Honor Roll Listing has been set up on the W1CU QRZ.COM page, [qrz.com/db/W1CU](https://www.qrz.com/db/W1CU), for all modes. To simplify the Program, stations need to only send me their **all time confirmed totals** in each mode, without any deletions. The totals are updated on a real-time basis.

I am not able to offer any certificates or plaques.

I have attempted to send emails to every station listed on the Honor Roll in September 2023, and more than 75 have responded with their prefix totals. My only source of email addresses is QRZ.COM. Some email addresses no longer are active, and some of my emails may have gone to spam folders. I would appreciate your assistance with any other publicity that you can provide. This would alert existing Honor Roll members to the site, where they can continue to view all of the Honor Roll information. Further, it would encourage others to join and support the continuation of the WPX Program.

Thank you in advance for your help.



# DX News Briefs



The **3D2CCC** operators from the Rebel DX Group landed on Conway Reef on 28 April. Length of stay is uncertain due to "ever changing weather on the island" but they anticipate being QRV for up to 10 days. More information on their [Facebook](#) page. QSL via ClubLog

**52P and A52CI** will be QRV through 4 May. More information at [a5.dxpeditons.org](https://a5.dxpeditons.org). QSL A52P via SP9FIH, A52CI via SP6CIK.

**JD1BMH** will be QRV through 4 May from Ogasawara Islans (AS-031), 40 – 10, CW SSB and RTTY. QSL via JG7PSG

**OJØT** will be QRV through 4 May from Market Reef, 160 – 6, SSB CW FT4 and FT8. Operators using FT8 may be QRV as OJØ/home call. More information at [oj0.no](https://oj0.no) QSL via EA5GL

**JW9DSA** will be QRV through 5 May, HF, mainly SSB. QSL via LotW and eQSL or as directed.

**3GØYA** will be QRV through 6 May from Hanga Roa, Easter Island. More information on their [QRZ.COM](https://qrz.com) page. They are using [ClubLog Livestream](#), which lets stations see in real time when they've actually made a contact! QSL via DJ4MX or ClubLog OQRS.

**OX3LZ** will be QRV through 9 May, CW RTTY and FT8. QSL via OZØJ

**ZC4RH** will be QRV through 9 May, HF, SSB CW FT4 and FT8. QSL via DK6SP

**KH9/NL7RR** will be QRV through 15 May, during his spare time, primarily 0600 – 0800 Z. QSL via NL7RR

**9X2AW** will be QRV 2 – 17 May, HF and 6, CW SSB and some FT4/8. More information at <https://www.qrz.com/db/9x2aw>

**AB2E/VP9** will be QRV 23-27 May. He will be QRV as **VP9I** during the WPX CW Contest. Before and after the contest, he will be mostly on the WARC Bands, CW, with some FT8. QSL via AB2E.

**CQ WPX CW** Contest 25-26 May Operations:

- **JD1BQW** via JA6VZB
- **VP9I** via WW3S

**C91AHV** will be QRV 1 – 12 June, 40 – 10, CW SSB and FT8; 13-15 June, CW SSB and FT8 on 6 meters. QSL via EA5GL

**E51CZZ & E51KEE** will be QRV 20 July – 6 August, 40-10 (mainly 20-15-10), holiday style. QSL via LotW or as directed.

**TM5K** will be QRV 27-28 July for the RSGB IOTA Contest. QSL via F8GGV.

**6Y/GØRNU** will be QRV 23 October – 6 November, HF, SSB & FT8. QSL via GØRNU

**3B8M** will be QRV 23-24 November for the CQ WW DX Contest CW. QSL via MØOXO

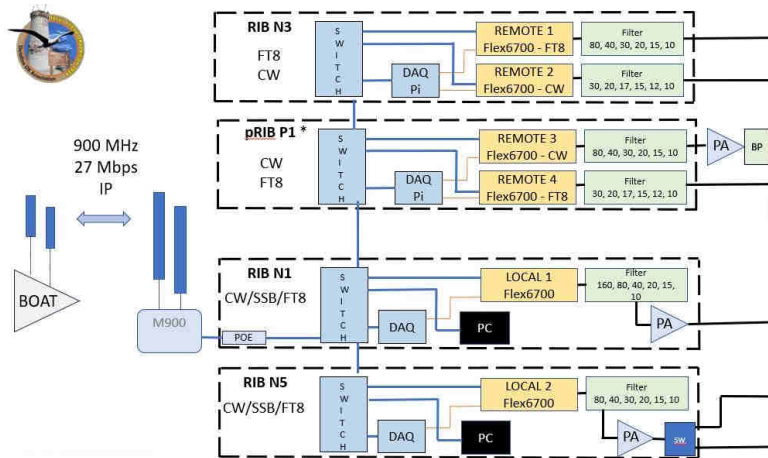
# Jarvis Island 2024 Update

George Wallner AA7JV

Miami Beach, FL, April 7<sup>th</sup>, 2024 – It is 84 days to our departure for **N5J** Jarvis Island from American Samoa. We are busy building and testing equipment.

In addition to the RIB-s, a lot of our gear is built by us, specifically designed for remote operation where reliability is key.

We have finalized the station configuration. We will have six stations on the island. Four of the stations are set up to be remotely operated, and two will be locally operated, although we do have the flexibility to operate any station locally (from the boat) or remotely via Starlink and the Internet.



# QSL Routes

4L2M via EA7FTR	IQ6KX via IW6ATQ	TM8ØTSF via F8GGZ
5WØRS via IT9YVO	IRØRIVA via ISØAFM	TT8RR via I2YSB
6D2SOL via XE2M	IR1GM via IK1XPX	TT8XX via I2YSB
A52CI via SP6CIK	JD1BMH via JG7PSJ	TX7W via K5WE
A52P via SP9FIH	KHØ/KCØW via KCØW	UN7LAN via RN3RQ
A6ØWAAAD/11 via EA7FTR	LS5H via EA5GL	VP9I via WW3S
	LT7Y via LU7YG	W4M via AA4SS
A8OK via OK6DJ	LZ99MT via LZ3DC	YJØCA via VL2YUS
AM23SJK via EA2URE	OL5ØDLA via OK1DLA	YQ75MSSC via YØ2KBO
AO75URE via EA4URE	OOØQ via ON6VDS	YR2ØRRO via YØ5KUC
AT25KVD via VU2LOC	OS8D/p via ON8DN	YPØTA via YØ3GND
C91AHV via CT7AHV	OZØROM via DK1VK	ZF2CH via VØ1IDX
CN3A via IK2OHG	PA75JOC via PD1RIK	ZW2WSP via PU2TWZ
CT9/OM3RG via OM2FY	PA75PARE via PE1EWR	ZW8A via PS8HF
CT9/UR9IDX direct to Madeira Island address	PB75NAVO via PI4RS	
	PC75NAVO via PC9X	
DA24WARD via DL2VFR	PG75NAVO via PA3DII	
DL25EUT via DD7GU	PI4CG via PD2GSP	
EG5ØGLR via EA1URL	PJ2/W4IPC via EB7DX	
EG7DMR via EA5RKB	PX5M via PP5BT	
EH5DL via EC5AJU	S21AF via I8KHC	
HB2ØSP via HB9SP	SK1ØØFRK via SK4AO	
I13TNXC via IQ3TN	SN2ØUE via SP6ZJP	
I14CLM via IZ3WNH	SX1ØØD via SV2GWY	
I14DETR via IQ4FE	TM2ØØCF via F4DIO	
	TM5ØIS via F5KRH	

Thanks to DL1SBF, KB8NW, NG3K, the [DX-QSL Reflector](#), [425 DX News](#), [DX Coffee](#), [DX World.Net](#), [ICPO Bulletin](#) & [ARRL DX Bulletin](#) for our [DX News](#) information. Thanks also to the [ARRL DXCC Desk](#), & [Bernie McClenny W3UR / The Daily DX](#) for confirmations & additional information.





# WASH Classifieds

Information shown here is as supplied to the **WASHRag**. Condition as stated, and all sales should be considered "as-is" unless otherwise noted. All subject to prior sale or withdrawal from sale at the owner's discretion. All responsibility for this information lies with the source and not the **WASHRag** or the **WIRELESS ASSOCIATION OF SOUTH HILLS, INC.**

**HAM RADIO INSURANCE ASSOCIATES, INC.**  
 P.O. Box 201  
 Canonsburg, PA 15317-0201  
 Toll-Free 1-800-545-8881



Fax: (412) 746-5944  
[bill.hill@hamradioinsurance.com](mailto:bill.hill@hamradioinsurance.com)

"All-Risk" Amateur Radio Equipment Insurance Plan for:

- Radio Equipment
- Antennas Rotors & Towers
- Mechanical Breakdown & Electrical Damage Coverage
- Computer Equipment
- Computer Media & Software

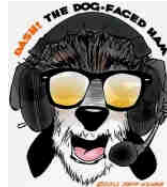
Antenna Zoning or PRB-1 Issues?

Contact: **Michael S. Lazaroff K3AIR, Esquire**  
 Lazaroff & Suhr, Attorneys at Law  
 277 West Main Street, Saxonburg, PA 16056  
 Phone: 724-352-4905

The **WASHRag** Masthead is courtesy of Jeff Murray K1NSS, creator of DASHToons & Dash the Dog Faced Ham!!

Find the online cartoons and stories of Dash the Dogfaced Ham & more at <https://www.jeffk1nss.com> !

Shop for Dash items at his online store on Café Press, [www.cafepress.com/shopdash](http://www.cafepress.com/shopdash)



**For Sale:** Shift "Lightblast" entertainment projector for PCs and game devices. Allegedly projects an image 10' wide. Bought online by my daughter, found that she could not use it nor could she return it. Advertised as "new" but appears to be used.

As-is. Best offer over \$35 (plus S/H). Email Ron W3WN [w3wn@n3sh.org](mailto:w3wn@n3sh.org) if interested.

US Amateurs by Class as of April 29<sup>th</sup>, 2024

Novice	6,651	0.75%
Technician	426,446	50%
General	202,233	24%
Advanced	35,401	4%
Extra	165,440	19%
Club	12,337	1.5%
<b>Total</b>	<b>848,505</b>	

Information gathered from FCC Daily Updates, courtesy of [AE7Q.com](http://AE7Q.com)

PA Amateurs by Class as of April 29<sup>th</sup>, 2024:

Novice	301	1.1%
Technician	12,097	45%
General	6,810	25%
Advanced	1,390	5%
Extra	5,942	22%
Club	448	1.7%
<b>Total</b>	<b>26,978</b>	

Information gathered from FCC Daily Updates, courtesy of [AE7Q.com](http://AE7Q.com)

Latest Region 3 Sequential Calls, Issued as of April 29<sup>th</sup>, 2024

Group A	AC3MJ
Group B	KF3EW
Group C	(none available / all issued)
Group D	KC3ZBC

Information gathered from FCC Daily Updates, courtesy of [AE7Q.com](http://AE7Q.com)



# FCC News

Federal Communications Commission Public Notice

Washington, DC, April 26<sup>th</sup>, 2024 – The first meeting of the World Radiocommunication Conference Advisory Committee (Advisory Committee) will be held on June 3<sup>rd</sup>, 2024, at 10:30 a.m. in person in the Commission Meeting Room of the FCC, 45 L Street, N.E., Washington, D.C. and via livestream at <http://www.fcc.gov/live>.

This first meeting will focus on WAC processes, including the final charter, committee structure, including the appointed chairs and vice-chairs, and working methods. This meeting is open to the public.

The Commission's WRC-27 website ([www.fcc.gov/wrc-27](http://www.fcc.gov/wrc-27)) contains the latest updated information and agendas on all scheduled meetings and Advisory Committee matters. Comments may be presented at the Advisory Committee meeting or in advance of the meeting by email to: [WRC-27@fcc.gov](mailto:WRC-27@fcc.gov).

For additional information please contact Gregory Baker, the Designated Federal Official for the Advisory Committee, [Gregory.Baker@fcc.gov](mailto:Gregory.Baker@fcc.gov), telephone (202) 919-0758.

## W3T Vintage Communications Special Event Station

WACOM is coordinating and organizing Special Event Station W3T, celebrating Vintage Communication Weekends at the Pennsylvania Trolley Museum, through May 12<sup>th</sup>. Visitors will be able to see a functioning Amateur Radio Station, demonstrating CW, SSB and FT8. Members of WACOM, Steel City ARC, and other clubs will be on hand to answer any Amateur Radio related questions.

In addition, there will be on exhibit antique radios, telephones, and televisions; vintage cameras; newspapers, recording & broadcast equipment, and other types of communications.

Volunteer Don Grimm will exhibit is WW II era Jeep, featuring an SCR-506-A, a medium power AM/CW transceiver designed for installation in tanks, amphibian trucks, personnel carriers, and other vehicles to provide communications with other vehicles, aircraft, and base stations.

QSL information to be announced.

More information at <https://www.qrz.com/db/W3T>

*(Thanks to Bill Steffy NY9H for the information)*

## N3UE Woodworking

Ed Wolf N3UE has taken up a new endeavor... laser engraving. (See sample)

He's currently available for plaques and signs of varying shapes and designs.

Prices vary, but are very reasonable!

Interested? Contact Ed directly at [n3ue11@gmail.com](mailto:n3ue11@gmail.com)

If you've downloaded the **WASHRag** from the N3SH web site, or picked up a copy from a friend... you can sign up to have the PDF copy sent directly to your email You **do NOT** have to be a member of **WASH!**

Just send an email to [w3wn73@gmail.com](mailto:w3wn73@gmail.com) and we will take care of the rest!

**Has Roadway found the tower yet?**



# WASHfest 2025

The South Hills Hamfest — Now in our **TWENTY NINTH** big year!  
Sponsored by the WIRELESS ASSOCIATION OF SOUTH HILLS AMATEUR RADIO CLUB, INC.

Sunday, February 23<sup>rd</sup>, 2025

8:00 AM until 3:00 PM Rain or Shine (or Snow!)

**Home Economics Building, South Park**

3735 Buffalo Drive, South Park Township, PA 15129

Behind the Allegheny County Police Station on Brownsville Road

Talk-In on 146.955(-) and 443.650(+) 131.8 PL

Donation \$5



**(800) 545-8881**

Breakfast & Lunch will be available!



*FREE Coffee for the entire Hamfest*  
courtesy of **HAM RADIO INSURANCE ASSOCIATES**  
of Canonsburg, PA

## MAIN PRIZES



First Prize: TBA

Second Prize: TBA

Third Prize: TBA



**Additional Hourly Door Prizes! 2 Special Black Box Prizes (Separate Drawings)!**

**Main Prize tickets are \$2.00 each, 3 for \$5.00, 7 for \$10, 15 for \$20, 40 for \$50, 90 for \$100**

**All Prizes Subject to last-minute changes**

For Table Reservations, or More Information, Please Contact:

Ron Telek W3LE at (412) 831-4886 [w3le@comcast.net](mailto:w3le@comcast.net)

E-mail us directly at [washarc@yahoo.com](mailto:washarc@yahoo.com) Check out our website too! [www.n3sh.org](http://www.n3sh.org)

**Please Note:** Early Table Reservations must be paid in full on or before January 31<sup>st</sup>, 2025.

Reservations received after February 1<sup>st</sup>, 2025 must include payment in full.

Reserve now... we have sold out in advance fourteen years running!

Hamfest Table Reservation Form—Please PRINT LEGIBLY ALL INFORMATION

Name: \_\_\_\_\_ Email: \_\_\_\_\_

Address: \_\_\_\_\_

Phone: ( ) \_\_\_\_\_ - \_\_\_\_\_

City: \_\_\_\_\_ State: \_\_\_\_\_ Zip: \_\_\_\_\_

Call Sign: \_\_\_\_\_

Tables WITH Electricity: \_\_\_\_\_ X \$15.00 = \_\_\_\_\_

Tables WITHOUT Electricity: \_\_\_\_\_ X \$12.00 = \_\_\_\_\_

Please make all checks payable to:  
**WIRELESS ASSOCIATION OF SOUTH HILLS**  
PLEASE MAIL RESERVATION TO:  
**WASHFEST 2023**  
C/O RON TELEK W3LE  
3065 Aljean drive  
Bethel Park, PA 15102

We reserve the right to resell any tables not occupied by 8 AM, unless prior arrangements have been made!





# WIRELESS ASSOCIATION OF SOUTH HILLS, INC.

## Membership Application, New or Renewal



I would like to join WASH! I am interested in the following type of membership:  **New Membership**  **Membership Renewal**

(check quarter \_\_\_\_\_) →  
(check one )

**1st Qtr** Jan-Mar     **2nd Qtr** Apr-Jun     **3rd Qtr** Jul-Sept     **4th Qtr** Oct-Dec

- (F1) Full Membership: \$20.00    \$15.00    \$10.00    \$5.00
- (F2) Full Membership < 18 or > 65 yrs of age: \$10.00    \$7.50    \$5.00    \$2.50
- (A1) Associate Membership: \$10.00    \$7.50    \$5.00    \$2.50

(FM1) Family Membership (\$3.00 x No. of household family members): \$ \_\_\_\_\_

Name(s): \_\_\_\_\_

Name: \_\_\_\_\_

Call Sign: \_\_\_\_\_

Address: \_\_\_\_\_

License Class: \_\_\_\_\_

City, State: \_\_\_\_\_

Expires On: \_\_\_\_\_

Home Phone: \_\_\_\_\_

Work Phone: \_\_\_\_\_

Email Address: \_\_\_\_\_

Birthday: \_\_\_\_\_

New Members Only:

- I do NOT want to be added to the Club E-Mail Reflector
  - I do NOT want to be added to the Electronic Newsletter Mailing List
- (If you have an Email address, you Will be added to both lists UNLESS you choose to Opt-Out)

ARRL Member?  Yes  No Family ARRL Member?  Yes  No

Date: \_\_\_\_\_

Signature: \_\_\_\_\_

Amount Enclosed: \$ \_\_\_\_\_

*N3RDV has requested that all membership requests and renewals include an application so that his information is up to date*

Please make your check or money order payable to the club treasurer, Mark Stabryla. The Wireless Association of South Hills, Inc. reserves the right to accept or reject new memberships or renewals. Please return completed membership form along with check/money order to the club treasurer or mail to:

WIRELESS ASSOCIATION OF SOUTH HILLS, INC.  
c/o Mark Stabryla N3RDV, VP/Treasurer  
1120 McKnight Drive  
Bethel Park, PA 15102-2456



## DXers have a choice!



Get a free two week trial of The Daily DX and The Weekly DX and decide for yourself which one best fits your needs for informing you of all the DX news!

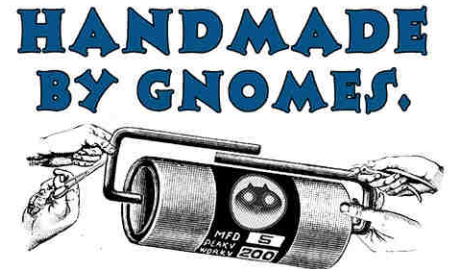
Send an email to [bernie@dailydx.com](mailto:bernie@dailydx.com) or go to [www.dailydx.com](http://www.dailydx.com)

The Daily DX, 3025 Hobbs Road,  
Glenwood, MD 21738 Phone: 301-854-5650



**Arhhh!**  
What Mightst We Draw For Ye, Matey?

**K1NSSDESIGN**  
CUSTOM QSL ART  
HAM GRAPHICS  
WEB COMICS  
[www.dashtoons.com](http://www.dashtoons.com)  
k1nss@dashtoons.com

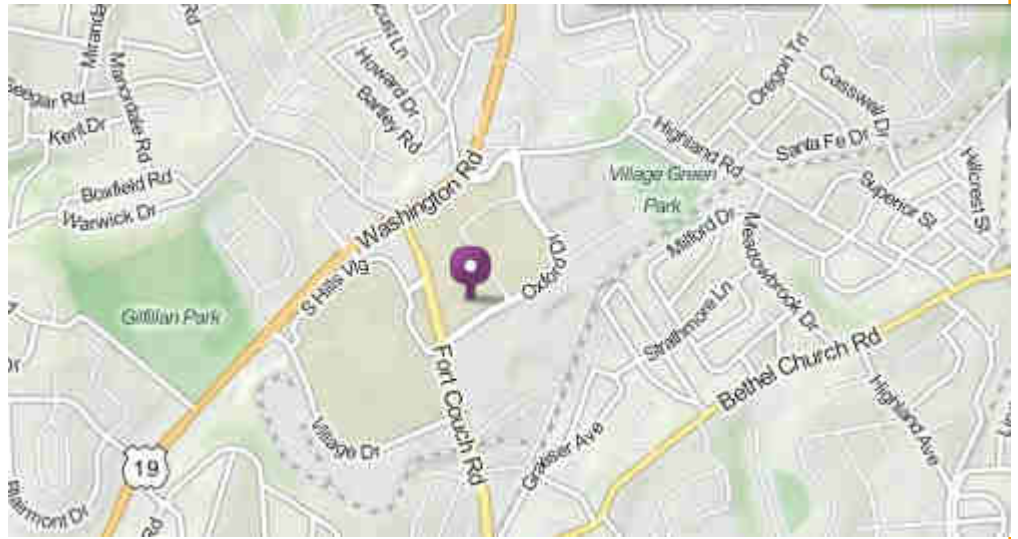
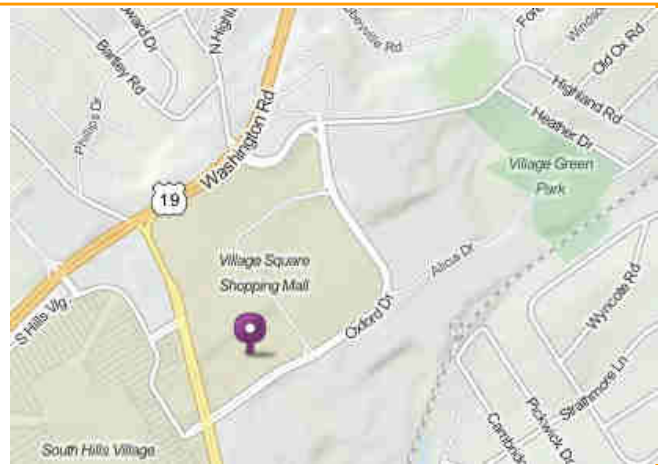


# 2024 WASH Meeting Location

**St. Clair Health Outpatient Center Village  
Square Conference Room**

2000 Oxford Drive, Bethel Park PA 15102

Adjacent to Village Square Mall, across Ft. Couch Road from  
South Hills Village Mall, just off of US Route 19



## The WASHRag

Wireless Association of South Hills, Inc.

Ron Notarius W3WN, Editor

3395 Rosewood Drive

Castle Shannon, PA 15234-2546



N3SH / WA3SH  
NP2SH/B

[www.n3sh.org](http://www.n3sh.org)  
[www.washarc.org](http://www.washarc.org)

