



WASHRAG

TM  Volume 1, Issue 12
December 1999

WA3SH
N3SH W2K

www.hky.com/~sanfordb/index.htm

Wireless Association of South Hills

1999: A Year to Remember!

We started off the year with WASHfest '99. I've heard positive if not glowing comments from local & regional amateurs all year about how well they thought of our fourth hamfest. We had a fantastic Field Day operation with a lot of fun, and a lot of exposure of HF and contest operating. And our collective efforts in the PA QSO Party got a lot of notice. WASH members have been heavily active in all types of Public Service events, including the Pittsburgh Marathon, Vintage Grand Prix, and too many other events to mention. Add in the great times we had at non-radio events, such as our Pirate excursion and August picnic. We're having fun again, together, both on and off the air! I thank each & every one of you who've participated in these events. Special thanks to Mark N3RDV, our Allegheny County ARES representative.



Thanks to our Activities Committee, we've had a special topic for almost every one of our meetings. My personal thanks to Steve W3SRL for taking on this difficult task this year.

We've had a high VE turnout for our exams with a lot of happy candidates walking away with tickets or CSCE's. Thanks to Bob AA3FI and the entire VE Team for a continued job very well done.

Active membership at the meetings has more than doubled, and participation on our nets is consistently high every week. Thank you all for joining, sticking with us, and staying active. Thanks to both Don N3KEH for taking on the task of running our 2 Meter net these last 2+ (almost 3) years, and John KE3XB for starting and running our 10 meter Digital net.

And thank you all for all of your help & the confidence you've shown in Mark, Steve, and me this last year (that is why you re-elected us, right? Right?)

*73, Ron Notarius WN3VAW, President
Wireless Association of South Hills, Inc.
N3SH / WA3SH / W2K*



W2K: WASHfest 2000

In honor of the new millennium, the next century, the year 2000, Y2K or whatever you want to call it, the Special Event committee has decided to promote ham radio in an "All Digital" fashion at WASHfest 2000.

The Special Event committee is made up of John KE3XB, Paul NOVLR, Kevin N3KFD, Steve W3SRL and Frank N3XI. The W2K call sign has been assigned to us for Feb 20th only. In case you were wondering, W2K stands for WASHfest 2000.

We plan on operating 2 HF stations and 1 VHF station using the new PSK31 mode, as well as the traditional RTTY mode on HF. The VHF station will be used for packet. Other demonstrations may include sending and receiving PACTOR E-mail. Experienced HF and VHF digital operators will be available to answer any questions you may have regarding these modes. We invite others to guest operate at the keyboard or to help us log contacts during the hamfest - so don't be shy!

The stations will be setup so that each operator will have a laptop and there will be a separate monitor facing the crowd so that the passer-bys can see what each mode is all about.



(Continued on page 3)

Next Meeting: December 9th, 1999 Our Annual Christmas Party!

The next monthly meeting of the Wireless Association of South Hills, Inc. will be Thursday, December 9th, at the John McMillan Presbyterian Church, 875 Clifton Road in Bethel Park, dinner starting at 6:30, with a brief informal meeting (mainly announcements) around 7:30. Talk-in on the 146.955 N3RNX/R Repeater.

If you have not already done so, please call Julie Notarius to let her know how many are coming & what you can bring. See your invitation over on Page 4.

All radio amateurs & interested guests are, of course, invited! See you there!

Inside this issue:

Amateur Radio Calendar	2
WASH Club News	3
November Club Meeting Minutes	4
Antennas on a Shoestring	5
Contesting M/S from W2A	7
DX News Briefs	8
WASHfest 2000 Announcement	10

Schedule of Events

December 1999

- N3SH/WA3SH WASH Club Net, 9:00 PM ET Sunday Nights on the 146.955 & 443.650 Repeaters

NCS Schedule:

- ⇒ December 5th: Ron WN3VAW
- ⇒ December 12th: Steve W3SRL
- ⇒ December 19st: Chuck N4MIS
- ⇒ December 26th: TBA

LOOKING AHEAD:

- Straight Key Night
- **WASHfest 2000**, February 20th, 2000, CSVFD Memorial Hall. W2K Special Event Station operating All Digital Modes right from the middle of the hamfest! Start getting ready for it! Contact W3SRL or W3WH for more information on WASHfest, KE3XB or NOVLR for more information on W2K!!

Sun	Mon	Tue	Wed	Thu	Fri	Sat
			1 Allegheny Co ARES Net Allegheny Co SKYWARN Westmoreland Co ARES SCARC Social Night	2 WACOM Meeting RA Erie Meeting GPVHFS VE Exam	3 <i>Chanukah</i> Elco ARS Meeting	4 ARRL 160 M Contest GPVHFS VE Test RA Erie VE Test Uniontown ARC VE Test Horseshoe ARC Xmas
5 ARRL 160 M Contest Ellwood City ARA Mtng	6 Breezeshooters Net Beaver Co Public Service Triple "A" ARA Club Net 2 Rivers ARC Net	7 NHARC Club Net SATERN Net Butler Co ARA Meeting Carnegie Tech RC Mtg WA7USA Special Event	8 Allegheny Co ARES Net Westmoreland Co ARES SCARC Social Night NHARC Meeting	9 WASH XMAS PARTY SATERN Xmas Party Horseshoe ARC Meeting Triple "A" ARA VE Exam	10 2 Rivers ARC Meeting W9WWI Special Event	11 2 Rivers ARC HamN'Eggs 2 Rivers ARC Holiday Dinner Tri County CW ARC VE Exam ARRL 10 M Contest W9WWI Special Event
12 ARRL 10 M Contest	13 Breezeshooters Net Beaver Co Public Service Triple "A" ARA Club Net 2 Rivers ARC Net ARL Lawrence Co Mtg	14 NHARC Club Net SATERN Net Foothills ARC Meeting Nittany ARC Xmas Party	15 Allegheny Co ARES Net Allegheny Co SKYWARN Westmoreland Co ARES SCARC Social Night So PA ARC Meeting	16 Triple "A" ARA Meeting	17 One more week to get your shopping done!	18 2 Rivers ARC VE Exam WX3MAS Special Event WA9SPT Special Event
19 Elk Co ARA Meeting WX3MAS Special Event	20 Breezeshooters Net Beaver Co Public Service 2 Rivers ARC Net Triple "A" ARA Club Net Steel City ARC VE Exam	21 NHARC Club Net SATERN Net SCARC Meeting	22 <i>Winter Begins</i> Allegheny Co ARES Net Westmoreland Co ARES	23 SHARC Meeting	24 <i>Christmas Eve</i> N1CC Special Event	25 <i>Christmas</i>
26	27 Breezeshooters Net Beaver Co Public Service 2 Rivers ARC Net Triple "A" ARA Club Net	28 NHARC Club Net SATERN Net Mercer Co ARC Meeting	29 Allegheny Co ARES Net Westmoreland Co ARES SCARC Social Night	30 WACOM BOD Meeting	31 <i>New Year's Eve</i> Straight Key Night	"I t's the end of the world as we know it... & I feel fine..."

WASH 2000 OFFICERS

THE LEGAL STUFF

Executive Committee:

President	Ron Notarius WN3VAW
VP/Secretary	Steve Lane W3SRL
VP/Treasurer	Mark Stabryla N3RDV

And We Couldn't Do It Without:

N3SH / WA3SH / W2K Trustee	Steve Lane W3SRL
VE Team Liaison	Bob Sanford AA3FI
Club Communications	Bob Sanford AA3FI
Club Quartermaster	Harold Rosenberger KB3CPI
Club Librarian	Paul Lusardi NOVLR
N3SH/WA3SH WASH Net Managers	
2 Meter FM	(open)
10 Meter Digital	John Benitez KE3XB
South Hills Hamfest Co-Chairman	Steve Lane W3SRL
(WASHfest 2000)	Bill Hill W3VWH
Field Day Chairman	Greg Babin KQ3DX
PA QSO Party Coordinator	(open)

Club-Affiliated Repeaters:

Mt. Lebanon	N3RNX/R	146.955 -	PL 131.8
Mt. Lebanon	W3SRL/R	442.550 +	PL 131.8
Canonsburg	N3FFP/R	443.650 +	PL 131.8

N3SH/WA3SH WASHNet, the weekly on-air net of WASH, meets every Sunday Night, 9:00 PM ET, on the 146.955 repeater, usually followed by the 10 Meter SSB Informal Net on 28.469 MHz.

The **10 Meter Digital N3SH/WA3SH WASHNet** meets on 28.105 MHz at 9:30 PM ET, starting with RTTY. (Frequencies are +/- QRM). All radio amateurs, WASH members or not, are welcome to join in!

"The WASHRag™" (formerly "The Mariner™") is the Official Newsletter of the **Wireless Association of South Hills, Inc. (WASH)**

This issue is © Copyright 1999 by the **Wireless Association of South Hills, Inc.** Editor & Publisher: Ron Notarius WN3VAW Member, Amateur Radio News Service

Comments, articles, and requests for copies of or information about "The WASHRag™" should be mailed to the editor:

Ron Notarius WN3VAW,
3505 Rosalia Avenue, Castle Shannon, PA 15234-2317.

Email: wn3vaw@fyi.net, wn3vaw@qsl.net or wn3vaw@arrl.net

"The WASHRag", "The Mariner", SHARCfest, South Hills Hamfest, WASHfest, WASHfest 2000, N3SH Net, WA3SH Net & WASH Net are ™ trademarks of the **Wireless Association of South Hills, Inc.**

The **Wireless Association of South Hills, Inc.** was founded in 1993 as the original South Hills Amateur Radio Club, and operated under that name through 1998. WASH was also known briefly in late 1998 as the **N3SH Amateur Radio Club**. It is not in any way affiliated with the "South Hills Amateur Radio Club, Inc." and is not responsible for that group, it's members, or it's actions in any way shape or form.

As always, special thanks to the owners of both the N3RNX/R Repeater System and the N3FFP/R Repeater System for permitting the **Wireless Association of South Hills, Inc.** and it's members to use their repeaters for club purposes.

WASH Amateur Radio Club News Briefs

Next WASH VE Test January 20th!

Our Next VE exam session will be **Thursday, January 20, 2000**, at **7:00 PM**, at the *John McMillan Presbyterian Church*, 875 Clifton Road, Bethel Park, PA. Talk-in on 146.955 MHz. All examiners are ARRL affiliated. Morse code exams are multiple-choice. Walk-ins are welcome, but if you plan on attending the test session, please contact VE Team Liason Bob Sanford AA3FI, telephone (724)-356-4020 or E-Mail: sanfordb@access.hky.com

Please bring the following to your test session:
 Picture ID or other suitable identification (2 forms of ID required)
 Pen / Pencil / Calculator
 Original FCC license plus a copy of license (if upgrading)
 Original CSCE plus a copy of CSCE (if upgrading)
 Check or Cash in the amount of \$6.65 (payable to: ARRL VEC)

Remember: Novice written (element 2) and 5 wpm (element 1A) code exams are still **free**.

FYI Networks, an internet provider in the Pittsburgh & surrounding areas since 1995, is offering all members of WASH their Basic Internet account, normally \$20/month, for only \$15/month. This includes one e-mail box, 3 MB of disk space, web page hosting, Telnet & FTP access. Call FYI toll-free 877-FYI-4NET, or e-mail them at sales@fyi.net, for more details or to sign up. **You must mention that you are a member of the Wireless Association of South Hills to get the discount rate.** Many thanks to FYI Networks for making us this special offer available.

Ham Threads W2K Update!

Ham Threads of Perry, Michigan is providing embroidered hats, shirts and jackets with the club logo. But you already knew that, it's been in this space in the newsletter for months.

Well, we're putting together another order, which will be a WASHfest 2000 special order. What does that mean? The club logo on the shirts & jackets will display the special W2K callsign, and have "WASHfest 2000" added to them. This is going to be a one-time special (OK, maybe twice, but that's it!) because after the hamfest is over, we will never order this shirt/jacket style again!

And if you choose to have your name & call embroidered on the right side of the shirt, we'll add "WASHfest 2000 Committee" so everyone will know that you're part of the best little winter hamfest in Pittsburgh!

So if you'd really like to look sharp at WASHfest, get your order in to W3SRL or WN3VAW on or before January 15th. Order form with prices & styles is available on Page 11. Please make all checks payable to Ham Threads.

(Continued from page 1)

A special edition W2K QSL card will commemorate the special event for those who wish to contact us before, during or after arriving at WASHfest (I don't particularly promote mobile-psk31/rtty/packet)

Special thanks to WACOM for once again letting us borrow their mobile tower/trailer to support the W2K antenna system.

Since we have already gone to press with the ARRL, WorldRadio and notably worthy ham publications, we are expecting a good turnout on the bands. Come and stop by the booth and check it out! — Paul Lusardi NOVLR W2K QSL Manager

WASHNet Coordinator Needed: Don N3KEH has asked to be relieved of his responsibilities as WASHNet Coordinator. "I have some personal problems which require me to reduce my workload, and after 2 years 9 months on this job, it is one I must eliminate.". Don is stepping down after the 01/02/2000 net. The position is open for anyone interested. The main duty is to ensure that we have an NCS station each week, and that the NCS has the right materials on hand to run the net. Interested? Please contact N3KEH, W3SRL, N3RDV or WN3VAW.

And... Thanks Don for a job very well done! Your hard work has been appreciated, more than you may ever know.

Speaking of WASHNet, the nets will run as usual on December 26th and January 2nd. A few people have asked!

With January 1st a month away, it's time to start reminding you that your dues for 2000 are now due. Renewal form is on the top of Page 11. Don't put it off, because we're looking at a great time in the next year, and we want you to be a part of it! (Not a member? Join now for 2000 & receive the rest of 1999 for free!)



The nonprofit Foundation for Amateur Radio Inc--an ARRL-affiliated federation of more than 75 Amateur Radio clubs in the Washington, DC, area--plans to administer 73 scholarships for the 2000-2001 academic year to assist eligible radio amateurs with post-secondary education. Amateur Radio licensees are eligible to

compete for these awards if they plan to pursue a full-time course of study beyond high school and are enrolled in or have been accepted at an accredited university, college, or technical school. Awards range from \$500 to \$2500. In some cases, preference goes to those pursuing certain courses of study or to residents of specific geographical areas. Application forms and additional information are available by letter or QSL postmarked prior to April 30, 2000, from FAR Scholarships, PO Box 831, Riverdale, MD 20738. Contributions to FAR are tax-deductible.

Mt Lebanon is still looking for WASH members to help "man the battle stations" on New Years Eve. Contact W3SRL for more info.

"Good showing by the WASH group - sounds as if all had fun - and thanks for sponsoring a plaque!

73, Doug Maddox W3HDH, Chairman, Pennsylvania QSO Party

Minutes, November 11th 1999 Meeting

Steve Lane W3SRL Vice President/Secretary WASH

Meeting was called to order at 19:18 hours by WN3VAW, 21 members present Introductions were made, followed by a moment of silence for Silent Keys and other deserving parties, as well as our nation's veterans.

The minutes of the October 1999 meeting were read and approved.

Secretaries Report: Not much to report. FCC complaint is still pending.

VE REPORT: KE3XB - Session on October 21st, 1 Extra Upgrade, 1 Novice Code, and one candidate did not pass any elements. Comment from WN3VAW about the lack of candidates, and that we need to publicize our sessions.

REPEATER: N3RNK - Need to get up to the 2m site to repair the isolator.

2-METER NET: N3KEH - Still need some new operators for NCS.

DIGITAL NET: KE3XB Sporadic, but active. Check us out! The club TNC is now in possession of KB3CPI. PSK-31 Kits now out to the folks who ordered them, we will be doing some PSK in the future.

CONTESTS: WN3VAW - Deadline for the PA QSO party logs is Monday.

HAMFEST: W3SRL - Locked in for the date. Interest in doing a digital-only special event station. Will talk to Lectrokit about putting in a table to market the kits. KE3XB will file for the special event call. NOVLR will make up the QSL certificates. Need to coordinate food. Keep it simple.

NEWSLETTER: WN3VAW - All the prior copies of the newsletter are now on the website in Adobe Acrobat format. Discussion on sending it out electronically. Possibly we will be sending it out to the listserv. Brief discussion of the copyrights for the photos submitted.

PRESIDENT: Nothing new to report.

TREASURER: Seconded and approved.

OLD BUSINESS: Xmas party: To be held at the church, everyone bring a dish. Club to spring for a sandwich ring and soft drinks. Mrs WN3VAW volunteered to run the party. Motion to purchase a sandwich ring, soft drinks and an additional dish for the main part of the meal. W3SRL / KE3XB and carried.

NOVLR asked about getting involved with the Scout program, to try to inspire some budding young hams. KE3XB stated that his contacts with the area council said that we could possibly make ourselves available to sponsor a specific merit badge for a Troop or two. Lots of possibilities.

W3SRL made mention that we should really look into buying legitimate server space for the website, as well as a domain name. WASHRAG.ORG was thrown out for a possible name. W3SRL to coordinate with AA3FI.

ELECTIONS: No new nominations W3WH / N3IDH. WN3VAW and N3RDV were accepted by default for new terms due to a lack of opposition. N3QMV and KE3XB motioned that the election be considered official.

NEW BUSINESS: W3WH mentioned that he was in favor of the club acquiring a "HEX BEAM" 10-20 meter kit for club use. Cost was approximately \$400.

W3SRL agreed, but possibly wait until spring to even out the finances.

N3IDH mentioned that WACOM's next hamfest will be on April 30th 2000.

W3SRL announced the second annual club "Show us your SHACK" contest. Bring in photos of your Shack, favorite operating position, and the brand new category of Favorite QSL card. Bring your photos to the December meeting.

N3IDH announced the WPA SET to be held this Saturday, Nov 13th.

NOVLR will be coordinating the "Virtual Library" for resources club members and prospective club members.

GOOD of the ORDER: KE3XB announced the winners of the Photo contest. N3XI won the contest, with and a PSK-31 kit.

N3RDV mentioned that he delivered the FD pins to Judy Petshot, and W3RJM reports via N3ZEN that Judy is studying for her exam.

N3RNK mentioned two neat websites that he found, <http://www.visto.com> and <http://www.dialpad.com>.

N3RNK also has a Kenwood TS-440SAT for sale, it is in the back of the room for display.

N3RDV asked that the renewal application be filled out as completely as possible for the sake of the Secretary and Treasurer.

Motion to adjourn N3IDH / Carol Danko. Carried. Meeting adjourned at 20:35 hours.

FOR SALE: ICOM 707, 100 watt, HF radio with handle, FM board and matching autotuner added! Also, have the CTCSS (PL tones) board, but have not installed it yet. Covers 10 through 160 meters in AM, SSB, CW/RTTY, FM modes. Built in speaker. Small enough that it has been used as base station AND mobile/portable. Excellent condition, with original packing & manuals. \$750.00. Contact John, KE3XB, at antivnn@aol.com or 412-257-2142.

Getting Young People into Amateur Radio

Ted Pinsker WN3BOJ

What is it that young people today are always busy with? It's the computer.



So my answer is to show them that what they are doing with the computer can be done a little differently. Instead of using a modem and the phone line, use a VHF radio, an antenna, and a different kind of modem — a Radio Modem, the TNC.

The results are the same. With gateways, the price is cheaper than a phone line. As they progress, they can also be shown other digital modes.

This is how to introduce them to HF. If the interest grows then with some studying a mike can be added and voice communications can be added.



The days of Morse code and theory as many of became hams will have to change if we want to grow. A different approach might help us get more hams.

You're Invited!

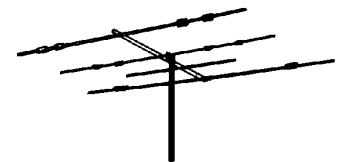
WASH Christmas Party!

Thursday, December 9th, Starting at about 6:00 PM
 Please RSVP to Julie Notarius, telephone 412-882-7130
 or email wn3vaw@fyi.net
 Please let us know how many are coming and what covered dish or desert you'll be able to bring.

Don't forget to bring along photos of your shack for the Photo Contest (categories include Best Limited Station, Best Unlimited Station, Best Mobile Station, and anything else we can think up) and QSL cards for the QSL contest.

We're all looking forward to seeing you there!

KLM Antennas of Monroe, Washington, reportedly closed its doors as of October 31. Industry sources say that Bruce Scott will continue to sell parts--at least for the time being--by e-mail orders only to klm_antennas@msn.com — ARRL Letter



"In a recent phone conversation with Mike Staal K6MYC I learned that M2 is planning to support the popular KT34A/KT34XA series of antennas with a line of upgraded replacement parts. Mike also mentioned the possibility of manufacturing a completely redesigned and upgraded version of the antenna under the M2 label. M2 is on the Web at <http://www.m2inc.com> I am in no way affiliated with either KLM or M2 except as a satisfied customer." — AD6W.

Skyhooks: HF Antennas on a Shoestring [Part III] Steve Lane W3SRL

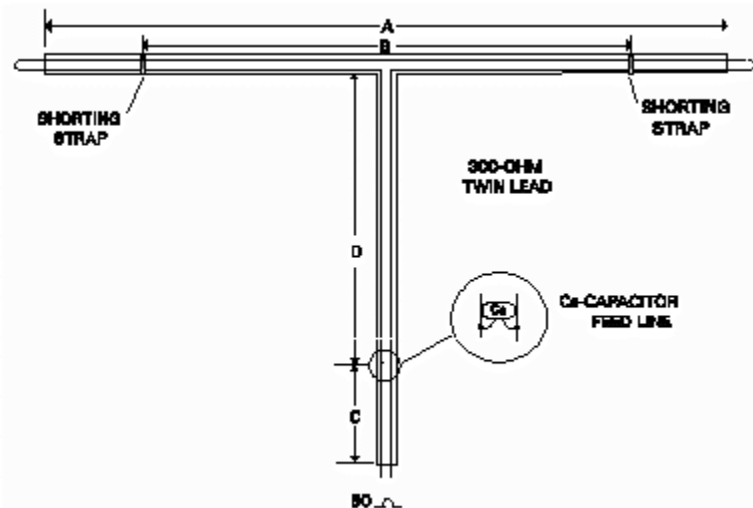
In the last two installments of this series, I described a couple of very simple wire antennas that work exceedingly well on the HF bands. Simple in construction, low in cost, low in profile and big on performance. What else is there for those of us who are unable to erect a 70-foot tower at our home QTH?

Well, I really like to be able to take credit for this month's antenna, but I can't honestly do that. This month's gem comes from the folks at MFJ enterprises, and it is a variation on the folded dipole. It is made primarily out of 300-ohm flat twinlead feedline, and a short section of RG-8X 50-ohm coaxial cable.

This version of the folded dipole is not designed to be a multiband antenna, but rather a space-efficient monobander for either portable or temporary use. It goes up in a flash like a conventional dipole, but is very light due to the 300-ohm twinlead used. When not in use, it can be rolled up & stuffed into a small bag, a jacket pocket or a desk drawer. Here's the best part though: It has a nearly flat SWR of less than 1.5:1 across the chosen band, & works with most any rig up to 100 watts out.

Now, I have the MFJ-built version of this antenna in the 20m length. It came with my trusty MFJ QRP rig in a package deal that I bought at a hamfest several years ago. It is exceedingly sturdy, and after 4+ years of use it shows no signs of wear. To buy this antenna from MFJ it will set you back about 40 dollars. It has allowed me to work darn near any station I can hear (with the exception of breaking a pile-up with 12 watts). Taking a closer look at the store-bought version got me to thinking that the average ham could probably whip up his/her own copy of the MFJ folded-dipole for a couple of bucks and about a half-hour's effort. Hmmm.

Well, I never got the manual with the antenna itself, so I went to MFJ's web site and downloaded the .pdf version of the official owner's manual. Very interesting indeed. Instead of the usual half-page of pidgin-English one often encounters with a new antenna, this one is actually two pages written in good English with USEFUL charts and dimensions. That's right, DIMENSIONS! Almost as if they were trying to



BAND	LENGTH A	LENGTH B	LENGTH C	LENGTH D	Cs
6 Meter	9' 1"	7' 7.25"	11.5"	7' 7.5"	22pF
15 Meter	22' 0.5"	18' 6.50"	2' 3.5"	26' 8.5"	51pF
17 Meter	25' 10"	21' 8.75"	2' 8.5"	26' 3.5"	60pF
20 Meter	33' 0.0"	27' 9.25"	3' 5.5"	25' 6.5"	75pF
30 Meter	46' 2.5"	38' 10.5"	4' 10"	24' 2.0"	107pF
40 Meter	65' 5.5"	55' 0.5"	6' 10"	22' 2.0"	151pF

Drawing and dimensions as they appear in the MFJ-1776 owner's manual. © Copyright, MFJ Enterprises

say, "Now that we have your \$40, here is what you could have built on your own!"

In use, it would appear that this antenna looks relatively 'fat' to the rig, as it has a very flat SWR throughout the entire band. My past experience has been that a larger conductor on an antenna is going to have a broader bandwidth. This antenna certainly bears that out. MFJ produces a version for 15, 17, 20, 30 and 40m as well as 6m; The 6m copy is the only one that does not cover the entire band with less than a 1.5:1 match without a tuner. Not to shabby, considering that the 6m band is 4 MHz wide! Now that MFJ's QRP rig line now spans 2m through 75m inclusive, I suspect that there are versions of this antenna for these other bands as well, but they are not mentioned on the MFJ web site.

I have been very pleased with my MFJ-1720 folded dipole, and plan to continue using it as my primary portable/QRP antenna. It is efficient, light and easy to store. It also is not super-obtrusive, being a flat-brown in color; It blends right into the trees when in use. Check out the whole line on MFJ's web site: <http://www.mfjenterprises.com/manuals/1776/mfj1776.html>.

For forty bucks it is hard to beat; It is impossible to beat if you build one yourself and put the remaining thirty-five bucks into the piggy bank for that new rig. (I can hear the neighbors now. "Oh GEEZ Ethel, he's putting up ANOTHER antenna!)

My Evening in the General Band on 20

Jim Kehler KH2D



One night 20 meters was wide open to the U.S. from the Pacific. I always think about the General guys. On CW, I operate above .025 most of the time. But I decided I'd try SSB that night. Go slumming, so to speak..... I went to 14.228 and ask if the frequency was in use. Some List Lizard started yelling about a DEEEE-X Net was gonna start. So I moved up. I went to 14.235 and ask if the frequency was in use. Two SSTV guys started sending pictures, calling CQ. I went to 14.240 and ask if the frequency was in use. Three SSTV guys started sending pictures, calling CQ. I went to 14.245 and ask if the frequency was in use. The Russian Hairdressers DX Net Control station started yelling about a DEEE-X net was gonna start. I went to 14.260 and ask if the frequency was in use. The IOTA guys told me I couldn't use that frequency. I went to 14.270 and ask if the frequency was in use. The Seventh Day Adventist net control told me I couldn't use that frequency, because a church service was about to start. I went to 14.300 and ask if the frequency was in use. I was told that frequency is only for Truck Drivers. I went to 14.315 and ask if the frequency was in use. I was told that frequency is only for Sail Boats. I went to 14.347 and CQ'ed for 10 minutes. Nobody called me. I guess nobody listens way up there. So I went to 14.195 and worked a bunch of guys in the U.S.

The Frogzilla File

Duane Fischer W8DBF Hallicrafters Collectors Association dfischer@tir.com

It was Thanksgiving morning and the weather in Michigan was almost Spring-like. The Sun was just peeking over the forty foot Scotch and White Pine forest as the sleepy woodlands came to life. I could hear the Frogs splashing in the HCA pond as they scrubbed up in preparation for another day of gorging themselves on filet of watercress, honey roasted Flies and Diet Coke. I plunked the Poultry Pride all natural vitamin enriched steroid-free Turkey breast into my trusty crock pot. I added some purified mountain stream spring fed demineralized water, half a can of black pepper to kill any bacteria the water did not and a few secret herbs and spices from my 1956 A.C. Gilbert Chemistry Lab kit. Turned the cooking temperature knob to high, slapped the lid on and noted the time.

I started to prepare the special stuffing I had gotten from a Tibetan Monk on the Internet. "A half cup of ground Yak liver soaked overnight in Mountain Goat urine?" Was this really an ancient Monk's recipe or something out of Jack The Ripper's Diary? I tried not to gag as I ground up the five cloves of Garlic. Smelled worse than my brother after two bowls of my homemade chili, several beers and those pickled hard boiled eggs he eats! I glanced out the kitchen window just in time to see the Frogs all assume a two column formation and hop off with military-like precision. "Where the heck were they going at 6:45 AM anyhow?"

I was enjoying the annual Hudson's Thanksgiving Day parade through Detroit when I heard this chorus of loud croaking from the pond. I hit the mute button on the remote and wandered over to the window. About five hundred Frogs were pushing and pulling a huge chest freezer with "Welcome To A&P" stamped on the front of it across the neighbor's yard! They were humming what sounded like the theme to Snow White And The Seven Dwarfs. "Hi Ho, Hi Ho, its to the Frog pond we go..." I knew that Frogzilla had to have a webbed foot in this, but he was nowhere to be seen.

Dozens of other Frogs, probably the females, were wearing little aprons decorated with Lily Pads and different images of Kermit. They were hustling around setting up little charcoal barbecue grills, Lincoln log picnic tables and other furnishings obviously stolen from some child's Barbie collection. Others started to unload the huge freezer as assembly lines of Frogs prepared the food. It had never really crossed my mind what Frogs ate on Thanksgiving, but then again I never devoted much time to pondering what the Tom Turkey I was roasting ate either! Unless I had to eat the gizzard and tail, I wasn't going to wonder either!

I finished up basting the candied Yams with my famous hot Rum and cinnamon butter sauce and slid them into the oven to bake. Ah yes, it was starting to smell like Thanksgiving in the ham shack! I glanced back at the parade. "Frogzilla? What the Tungsten triodes was he doing in the parade?" There he was, big as a gas filled Kermit, riding on the float with Miss Michigan! He had a smile as big as a Brontosaurus buttock! Oddly enough his slimy green skin matched the color of her eyes. Gee, what a Kodak moment!

She was blowing kisses to the hundreds of thousands lining the streets of Detroit and Frogzilla was hopping alongside the float giving squealing politicians a ride! It was amusing watching them trying to ride something slipperier than themselves! I glanced back out the window. They were still unloading the huge freezer. I wondered how the ruptured resistors they got that out of the store with out being busted by the security guards? But then I remembered it was illegally in my backyard and decided it

was better I did not know, as who were the police going to believe? If they gave me one phone call, who would I call on Thanksgiving?

The parade was just about over. Santa Claus made his yearly appearance sitting in his sleigh parked atop a Greyhound bus. Nine Reindeer pranced around like they all needed a bathroom break, now! Frogzilla hopped over to the handlers holding Miss Piggy down and let out a mighty "CROAK!" The crowd grew silent for a few seconds and the riot police started spraying Mace on anybody who smiled funny. Frogzilla grabbed several ropes, gave a big kick with his muscular legs and lifted off. He waved as he cleared the AM 760 WJR golden towers of the Fisher building and headed North and home.



I was just setting my delicious smelling dinner out on the table when I heard enough croaking from the pond to drown out hormonally charged screaming teenage girls at an Elvis concert! Frogzilla let go of the ropes and dropped like a very xxxx large green hail stone into the pond. Kersplash! A column of swamp scum shot up to the top of the Hustler 6BTv vertical and splattered all over the sides of my house sixty feet away. Maybe the extra moisture would help my ground rod system? Frogzilla grabbed the neighbor's long haired French Poodle as it sped by chasing the other neighbor's mentally impaired three legged Mexican Chichiu, and wiped himself off.

They all sat down to eat whatever it was that Frogs eat for Thanksgiving and I sampled my Turkey. I was about two good bites into my dinner when the phone rang. A solicitor? On Thanksgiving? "Hello? Did I see anybody pushing a large freezer down my street full of Rocky Mountain Oysters, greens and black eyed peas? Nope. Didn't see a thing. Sorry!"

Useful Metric Conversions for the Coming Decade

- 1 Million Microphones = 1 megaphone
- 2000 Mockingbirds = two kilomockingbirds
- 10 rations = 1 decoration
- 100 rations = 1 C-ration
- 3 1/3 tridents = 1 decadent
- 2 monograms = 1 diagram
- 4 nickels = 1 paradigms

After the Super Bowl on Sunday, January 26th, 1997, most of the East Coast and Midwest watched the latest episode of the *X Files*. But not here in Pittsburgh, where the WPGH Fox 53 was launching their new 10 PM newscast, with the *X Files* to follow.

As was to be expected for a first-night broadcast for a new newscast for a TV station that had never, ever, done it before, the station had some technical glitches, gremlins & difficulties.

One of which was that they didn't cut over from the Fox network QUITE fast enough.

So the new 10 PM News broadcast started with a warning that the following program contained violent content and material suited for a mature audience, parental discretion was advised!

Operating W2A M/S in the CQWW SSB '99

JP Kleinhaus W2XX w2xx@arrl.org

The W2A (KE2TR) station QTH is on the North Shore of Long Island, about 65 miles East of NY City. The lot is 1/3 of an acre, on a small cul-de-sac, surrounded by (sometimes) angry neighbors :-). We have been quite successful these last several years, in both CQWW and ARRL DX contests, placing #1 USA M/S in CQWW SSB1996 (KF2ET), 1997 (W2A) and (apparently) 1999 (W2A). The station won ARRL DX SSB 1999 in the M/2 (N2TX) category and even placed respectably in CQWW SSB 1998 with a #5 USA Multi-Multi (4 stations) finish.

After much discussion among the team members, we decided that this year we would go back to our proven M/S formula as we didn't feel we could be truly competitive with the current crop of large M/M stations. Besides, we have an on-going friendly rivalry with the crew at N2NU's in the M/S category and didn't want John to think we had abandoned him for greener pastures. :-)

For the first time ever, we actually had all the antenna work and stations finished 5 hours before the contest started. We had a pre-dinner feast of 1.5" thick steaks on the BBQ, and then off to the races.

Conditions at the start led to several bands being open, and runnable, at once. A far cry from what we faced in years past! We opened with the run station on 15 and the mult station on 20. About 40 mins of S&P on both stations yielded 78 QSO's and then the run settled down high in the band and ran some JA's. The first hour yielded 120 Q's, our best ever opening hour, but we still had no inkling of what was to come.

A band change to 20, low in the band, for the run, and the mult radio on 40, 80 and 160 netted a 152 QSO second hour. A few juicy mults included VQ9, VU and 3B8. Things get quiet after that, with the stations on 20, 40, 80 and 160 for the next few hours. After 6 hours, we're at 589 QSO's and figure it will be relatively light going for the overnight.

Wrong...at 06:00Z, 20 meters explodes with the EU sunrise opening! With the mult radio pounding on the low bands, N2TX has taken the overnight shift on the run rig and finds that he will be busy. The next two hours put 100 QSO's each into the log, and we start the 08:00 hour with 789 Q's, still averaging almost 100 Qs/hour. Yay sunspots!! We start to think it might be a decent weekend :-)

W2XX gets out of bed at sunrise and finds that 20 is coming back to life, but 15 is really cooking. Time to get serious about this....Jimmy's station is really loud into EU on 15, and XX feels strong. We settle down on 21.219 and the 11-12 hour brings in 205 Q's on 15, with the mult radio adding some points from 10. At the 1/4 point, we enjoy 1117 QSO's, for a continuing average of over 100 Q's/hour.

At 12:13Z, we make the move to 10 and enjoy the noise the new 5 element yagi is making. The next 3 hours bring 191, 161 and 149 Q's into the log, with a nice balance of mults too. Some time is spent running high in the band on 10, and still yields some nice rates. One quiet hour follows (92) with a band-change back to 15 for the run station. 15 is HOT again! With very little action from the mult station, (we've worked 623 mults already!) the next two hours bring 188 and 163 Q's. The run guys are laughing as they swap positions and continue to crank them out, passing mults to the other radio in the process.

It's back to 20 in the 20:00Z hour (how fitting) and then back to 15 and even 10 meters, for some JA runs, still putting not less than 100 Q's in

the log in each of the 20, 21 and 22Z hours. Suddenly, it gets quiet. Everyone must be out for a midnight meal in EU, as the rate drops down to the 60-70 range for the next few hours. The run radio keep looking for rate on 10, 15 and 20, but it's slow going.

The doorbell rings, and KE2TR meets some new neighbors :-). After a tour of the facilities and an explanation that we will be finished with the activity Sunday night (and not before), they get sent off with a shiny new high-pass filter in their hot little hands. The war rages on.

We get to the halfway point with 2713 QSO's and 704 mults in the log. Now the overall average is well over 100 Q's/hr and we are ecstatic! Most of our ops got into the contesting game late in the last cycle, and never really had a taste of how good life can be when the sun is awake.

The first night was not very productive on the low bands, but night two holds some more promise. KE2TR takes the reigns, and pounds out a couple healthy hours on 40 (60 Q's) and 80 (74 Q's) all while listening down in the crud that is the EU phone band. The beverages help here, as we run them through the bandpass filters and then pre-amp to scrape the last 100 watter/bedspring guys off the noise floor and into the log. Predictably, things get quite slow after that.

We try to run some more on 20 during the overnight, but the stupendous opening of the night before is replaced by the strangest sounding band I have ever heard. 20 is open *everywhere*, with strong S-9 signals. I hear KH8 as loud as IH9 as loud as ZS6 but we've worked most of them before, and there is no good place to set up shop. There was also a tremendous amount of "crud" present; noise, static and some strange intermittent buzzing. I guess that was just the result of so many signals arriving from so many parts of the world at once.



The overnight crew made a valiant go of it, but the most of the guys on the low bands were the CQ machines. The low-point of the event was the 08:00 Z hour, with only 7 (!) Q's and NO new mults in the log. They kept grinding it out, to their credit, and then 20 came back slowly. We finished the 3/4 point with 3162 Q's and 786 mults. Our average had dropped below the 100 mark, but we were in fine shape overall, with a healthy multiplier total, and XX back from his nap.

The 12:00 Z hour saw the run station go from 20, right through 15 and then land on 10 meters for a combined hour of 134. 10 sounded pretty good, so we didn't want to miss a decent opening there. We has spent a good deal of time on 15 the day before, so we figured to go to 10 early and then fill in some Q's on 20 since we were still pretty light there.

I got to 10 meters, somewhere around 28.500 and cleared out a hole. WOW!!! A single yagi at 55' is not usually the optimum "gun" for this band, and since we run stacks on 15 & 20, I wasn't expecting what happened next. The band literally boiled over, with a huge bottomless pile-up of stations calling. The rate meter climbed and climbed, with the last 10 (CT rate) peaking at 450/hr and the last 100 rate settling in at about 250-275 for the long haul. With only one mult on 15 to work, the next two hours bring in an amazing 239 and 244 QSO's running. As a wise K1DG once said, "there's no meters like 10 meters," and boy was he right!!

(Continued on page 8)

North Pole QRV



Santa Claus will be on the air from December 17 – 19, 1999, from Rovaniemi, with the call **OH9SCL**. OH9SCL will be on all modes and bands. We will have real time logs and more information on www.oh9scl.com. We had a visit from Mr.

Murphy and he delayed our updating it, but now it's ready. Or if you want to, mail: oh9scl@sral.fi

Hope to meet you in the air! 73, Esa Jarkko OH9HNP oh9hnp@sral.fi

Look for these other holiday special events stations, too (More details on each in December *QST*, *WorldRadio*, *CQ* or *73* magazines.):

W9WWI, Bethlehem IN Dec 10-11

KC5OUR, Belen/Bethlehem, NM, Dec 18-26

WA9SPT, Christmas City Walkway of Lights, Marion IN, Dec 18

WX3MAS, Nazareth & Bethlehem, PA, Dec 18 – 20

N1CC, Number 1 Christmas Carol, Dallas TX, Dec 24.

DX Psalm 23:89 "And the weak shall be strong when conditions be'ith mighty"

DX Psalm 23:90 "And the already strong shall be 'rocketh' thy rig!"

DX Psalm 12:13 "And the Blasphemer who not QSL shall be doomed to wander in the Valley of LIDitites."

— Bill Heinzinger W9OL

(Continued from page 7)

During the 15:00Z hour, we logged an additional 103 on 10 before going to 15 and adding 54 more for a 157 hour!

The next two hours are spent on 15 with the 18:00 z hour split between 10, 15 and 20 for some mop-up operations. Things are just cruising along and we crank off two back to back 115 hours at 18:00 and 19:00 z. Multipliers are really thin, with most of the afternoon hours netting less than 5 new ones, but the Q's just kept on rolling in.

20:00 and 21:00 are the usual 20 meter slugfest, and N2TX was toughing it out with a 88 and a 96 hour while waiting for the JA's to start rolling in on 15 for the big finish.

As expected, 15 does open over the pole, and Mike and Jimmy take turns banging out the JA callers. There really is nothing like a nice civilized pile-up of JA's to erase the last-2 brouhaha of the previous hours. N2TX brings it home with an 80 and a 68 to Asia on 15, while Jimmy sweeps up the mults and uses his patented stand-up-and-yell technique to crack some particularly thick multi pile-ups on 10 meters to the pacific region.

When the dust had settled, we logged 717 Q's on 10 the second day, with the rest about an even 500/500 between 15 and 20. Our second day QSO total was 2041 with only 142 mults (compared to 704 on day one) and brought us up to 4754 and 846. Our average rate, not including dupes was 99 per hour. Our score, before UBN, is higher than the old K1AR USA M/S record from 1990. With any luck, we'll have enough in reserve to hold that title, at least until next year's event.

Not bad for a couple of crank-ups on 1/3 of an acre in suburbial!

DX News Briefs



CQ DX Columnist "Chod" Harris WB2CHO/**VP2ML** is much improved after suffering a heart attack in early November and a setback at Thanksgiving, according to Bob W9KNI. Chod could return home as early as December 3rd from a rehab unit. Doctors believe he may have a full recovery, despite suffering "considerable" heart damage. Friends may write Chod Harris, 3201 Franz Valley Rd, Santa Rosa, CA 95404. — ARRL WebExtra, W3UR/The Daily DX, N7NG

The Central Arizona DX Association has announced "the first major DXpedition of the new millennium," **XZØA**, January 13 – February 6th, 2000, from Thatay Khun Island, off the southernmost tip of the Union of Myanmar (XZ, Zone 26, Southeast Asia). This will be the first ever XZ IOTA, & a brand new prefix. This operation has been scheduled to coincide with a period of favorable propagation to Europe and North America on the low bands. Details can be found at their web site: <http://getnet.com/~k7wx/myanmar.htm> QSL via W1XT. — K7WX

"I have found a list of all **OE callsigns** with postal addresses on a governmental page and copied it to my web site as downloadable zipped PDF file. You can find it on my page <http://www.swl.net/oe1002419>." — Kurt Brandstetter OE1002419

"Thanks to AA7BQ we're finally online with our **QSL manager database**. Access via <http://www.qrz.com/qsl.html>" — DF6EX

QSL **OD5NH** via W4AO — K6RO

QSL **M6T** via G4PIQ — OE1002419

QSL **TY1IJ** via DK8ZD — OE1002419

KOJN is the new QSL manager for **4S7OF** effective November 1st. Cards already sent direct or via the bureau will be answered, but all new requests should go through KOJN. — 4S7OF

"New version of my QSL Manager database is available at my website, <http://www.qsl.net/ok1rr>. It contains 129500 Managers and 13950 addresses." — OK1RR

DK9KX is looking for 3 amateurs to help on an upcoming DXpedition from Feb 20 to Mar 20, 2000. If you are seriously interested, can spend the money, and can spend 4 weeks away, contact Hans at DK9KX@netcologne.de. — DK9KX

"N6CW is now handling QSLing for **ZD8A**. I had sent cards this spring to ZD8A's home call K6NA and received return QSL's from N6CW today (11/20)." — N7HIY

"I just found out where they got the CAMEL for the CAMEL CIGARETTE PACK... Just added W4IF-1933-QSL.JPG to the web page <http://www.qsl.net/w3hc>" — W3HC

No, that wasn't **P51BH** you worked in November... Slim Strikes Again. — KH2D, KH7M, YS1RR, VE1DX & many others.

Look for **5P1ER** from the European Radio Office in downtown Copenhagen December 4th & 5th. — LA5HE/OZ8RO

Thanks to the *KH2D DX Reflector*, *425 DX News*, *OPDX News*, & *ARRL DX Bulletins* for our **DX News** information. Thanks also to W3UR/*The Daily DX* for confirmations & additional information.



Allegheny County ARES News

Bob Ferrey Jr. N3DOK,
WPA Public Information Officer
(412) 367-2393 or n3dok@pgh.net

Someone asked what is a GRAB AND GO KIT. Below is a example of a KIT. There are several other types. Add or delete what you feel you would need. Its one thing to have a radio and extra batteries.

The following is a list of items that each ARES operator should consider bringing during an ARES event. Not all items are applicable for all events. Please look at each item and evaluate your need or the potential need for that item. The items that are CAPITALIZED will be needed most of the time. Try to bring all items you think may be needed plus two. Murphy lives!

Equipment:

ARES/RACES/SERVED-AGENCY
IDENTIFICATION CARD
COPY OF AMATEUR RADIO LICENSE
HANDHELD RADIO (dual band if possible)
SPARE BATTERY PACKs (CHARGED nicad and AA)
HEADSET, SPEAKER-MIC.
19 IN. MAG. MOUNT/GROUND PLANE
ANTENNA (will function on 70 cm)
COAX JUMPERS AND CONNECTORS
CONNECTOR ADAPTERS (bnc/pl259)
DUCT TAPE
SHORTHAND NOTEBOOK, PEN &
CLIPBOARD
WATCH
MAPS of area (Topo and street)!!!
Compass and/or GPS
Copy of COPLAN and District Manual
COPIES OF MESSAGE FORMS
Boundary-Marking Tape

Survival Items:

FOOD
WATER: At least 1 GALLON /day /person!
3 DAY SUPPLY OF PERSONAL
MEDICATION!
WARM CLOTHING & BOOTS (bright colors for shirts and jackets)
FIRST AID KIT
Moist Towelette Packets
SUN SCREEN (winter or summer)
RAIN SUIT
Space Blanket
Plastic ground cover tarp
HAT<<=!!
GLOVES
ORANGE VEST (for use if your clothing is drab colored)
SPARE GLASSES & Spare contact solutions
Spare shoe laces and some twine
Wool blanket
Fanny pack/Backpack
Sports/Bicycle water bottle
High energy snacks
Large trash bags
TOILET PAPER/KLEENEX
Flashlight W/extra batteries
Whistle
Tools:
SWISS ARMY KNIFE
SCREW DRIVER (Phillips & Flat, Torx optional)
PLIERS
SIDE CUTTER

Crimp Tool (includes wire stripper)
Assortment of crimp connectors, nails, brads, tacks
CRESCENT WRENCH
Fence Pliers (includes hammer)
ELECTRICAL TAPE
VOM

For public service events:

COOLER with FOOD & DRINK
Lawn chair
Umbrella (sun or rain)
Optional items:
3 Wire AC Extension Cord w/2-3 pin adapter
AC to 12V power supply
Soldering Iron w/solder
2M Beam Antenna w/Tripod, mast & guy
Nut Driver set
Folding set of Allen/Torx wrenches
Zip Cord
HARD HAT
SAFETY GLASSES

Cash (for pay phones & if power is out)
Transistor radio
Binoculars

HF Unique:

HF rig (12V dc preferred) with:
Mic, Key, Head phones, extra speaker, Tuner
50 ft + RG58/RG8X or better
NVIS antenna: (NOT a mobile vertical!)
75m dipole w/ ladder line or 130 ft of wire
Insulators
3 Masts, 8 ft or more, preferably non-conductive
Guy rope
Tent pegs for guys
Lead weight & 50 ft light line for tossing over branches
"Loud" marking tape to warn passers-by of guys, lines.
Power source (one or more):
12V gel cell 75 A/H w/ charger
Vehicle w/ 12V battery & gas
Portable shack:
Shelter tent
Table & chair
Dream List:
Gas powered generator
Self contained camp vehicle

FCC Denies ARRL Petition

ARRLWeb Extra courtesy American Radio Relay League

NEWINGTON, CT, Nov 24, 1999 — The FCC has turned down a 1996 ARRL petition asking the Commission to go further in compelling state and local governments to reasonably accommodate Amateur Radio and apply the least restrictive means to regulate amateur antennas and activity. However, in denying the petition the FCC did offer some words that may be helpful to amateurs.



The requested rules changes would have expanded and clarified PRB-1, the Federal preemption of state and local regulation spelled out by the FCC in 1985 and since incorporated into the laws of several states. The thrust of the petition, according to ARRL Executive Vice President David Sumner, K1ZZ, was to get the FCC to deal with "things that frustrate the intent of PRB-1 or tend to run up the cost" for hams. "We want the Commission to say flat out that localities must find the least restrictive means" to deal with ham radio, Sumner said when the petition, designated RM-8763, was filed in February 1996.



In its denial, in an Order released November 19, the FCC said it would not be "prudent" or "appropriate" to set a height standard for amateur antennas and supporting structures "because of varying circumstances that may occur" for differing antenna configurations. "We believe that the policy enunciated in PRB-1 is sound," the FCC said, noting that PRB-1 does not specify a height limit. The Commission also said it did not want to mandate specific provisions that localities must include in zoning ordinances. "We continue to believe that the standards the Commission set, that is 'reasonable accommodation' and 'minimum practicable regulation', have worked relatively well," the FCC said. The Commission applied that same philosophy to the imposition of fees, zoning laws and other conditions that localities might impose on amateur antenna installations.

The part of the FCC's Order that may prove most helpful is the assertion that PRB-1 precisely stated the principle of "reasonable accommodation." Some courts have held that a local authority can merely balance its own interests against those of the amateur. PRB-1 states that local regulations involving placement, screening, or height of antennas based on health, safety, or aesthetic considerations "must be crafted to accommodate reasonably amateur communications, and to represent the minimum practicable regulation to accomplish the local authority's legitimate purpose." In its Order, the FCC said that given PRB-1's explicit language, "it is clear that a 'balancing of interests' approach is not appropriate in this context."

The ARRL Executive Committee will be reviewing the Order at its next meeting.

Oh dear! Where DID I put that Illudium Q-36 Explosive Space Modulator? Or does that Earth Rabbit still have it?

I wonder if I can find another one at WASHFest 2000 on February 20? You know, the Earth is still blocking my view of Venus. How inconsiderate!



Now in our Fifth BIG year!!

WASHfest 2000

The South Hills Hamfest



An Amateur Radio and Computer Show Sponsored by the Wireless Association of South Hills, Inc.



Where: **Castle Shannon VFD Memorial Hall**
Rt. 88 (Library Road at Grove Road) in Castle Shannon, PA
Just 10 minutes from Downtown Pittsburgh

When: **Sunday, February 20, 2000 (3rd Sunday in February)**
Rain Snow Sleet or Shine!
Doors open at 6:00 AM for vendor set-up ONLY
Open to the General Public 8:00 AM until 3:00 PM

Talk-In: **146.955 (-) N3RNX Repeater starting at 5:00 AM**
Hamfest Communications from Special Event Station W2K

Main Prizes: 1st Prize: Yaesu VX-5R Triband HT 2nd Prize: Icom IC-2100 Mobile
3rd Prize: MFJ 9420X 20m QRP Outfit 4th Prize: MAHA Universal Battery Charger

Acres of FREE parking, and everything is on one handicapped-accessible level.

General Admission is still only a \$4.00 donation per person.

Harmonics under 10 are admitted FREE with adult admission. Tables are \$15.00 each with electricity (limited number) and \$10.00 without power. Main Prize tickets are \$2 each, 3 for \$5
All display areas are located INSIDE CSVFD's spacious banquet facility.

For further information and/or reservations:

Steve Lane W3SRL, Hamfest Co-Chairman w3srl@adelphia.net 412-341-1043

Bill Hill W3WH, Hamfest Co-Chairman billhill@nb.net 724-746-5944 (day) 724-746-1776 (night)

WASHfest 2000, P.O. Box 79211 Pittsburgh, PA 15216

Also, check out the WASH Club website: <http://www.hky.com/~sanfordb/index.htm>

WASHfest 2000/South Hills Hamfest Reservation Form – PLEASE PRINT OR TYPE LEGIBLY!

_____ Tables WITH Electricity @ \$15.00 ea. = \$_____ Name: _____

_____ Tables W/O Electricity @ \$10.00 ea. = \$_____ Address: _____

_____ Prize Tickets at \$2.00 ea. Or 3/ 5.00 = \$_____ City: _____ State: _____ Zip: _____

_____ Total Amount Enclosed = \$_____ Phone: (_____) _____ - _____

Email: _____

Please return completed reservation form to Wireless Association of South Hills,
Inc., Hamfest Headquarters, P.O. Box 79211 Pittsburgh, PA 15216

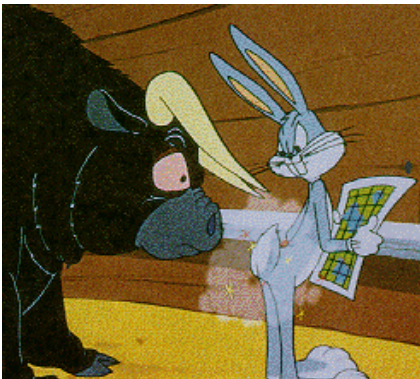
Make all checks payable to WIRELESS ASSOCIATION OF SOUTH HILLS, INC.
Absolutely NO REFUNDS!

Inside This Issue:

- Ever heard of Frogzilla?
- More "Antennas on a Shoestring"
- What it's like to run a serious contest effort!
- Don't forget about the club Christmas Party!
- W2K... it's more than shorthand for WASHFest 2000!
And that's just for starters... naturally!

The Officers & Members
of the Wireless Association of South Hills
Would Like To Wish Each and Every One
of You a Merry Christmas,
Happy Chanukah, Happy Kwanza,
Sparkling Sparkle Season,
or Happy Winter Solstice.
However, in these politically correct times, we
also do not wish to offend anyone due to any
errors, oversights, or omissions.
So instead, from all of us,
We wish upon you and yours the very best
possible in celebrating whatever it is you
choose to celebrate at this time of the year,
should you choose to celebrate anything at all!

The WASHRag
Ron Notarius WN3VAW, Editor
3505 Rosalia Avenue
Castle Shannon, PA 15234-2317



Hey, waiddaminit... 'dis ain't WASHFest 2000!
I KNEW I shoulda made that toin
In Albuquerque!
And Stop Steamin' Up My Tail!

